

SCCPRC507B



CROCK·POT
• THE ORIGINAL SLOW COOKER •

PROGRAMMABLE COUNTDOWN SLOW COOKER



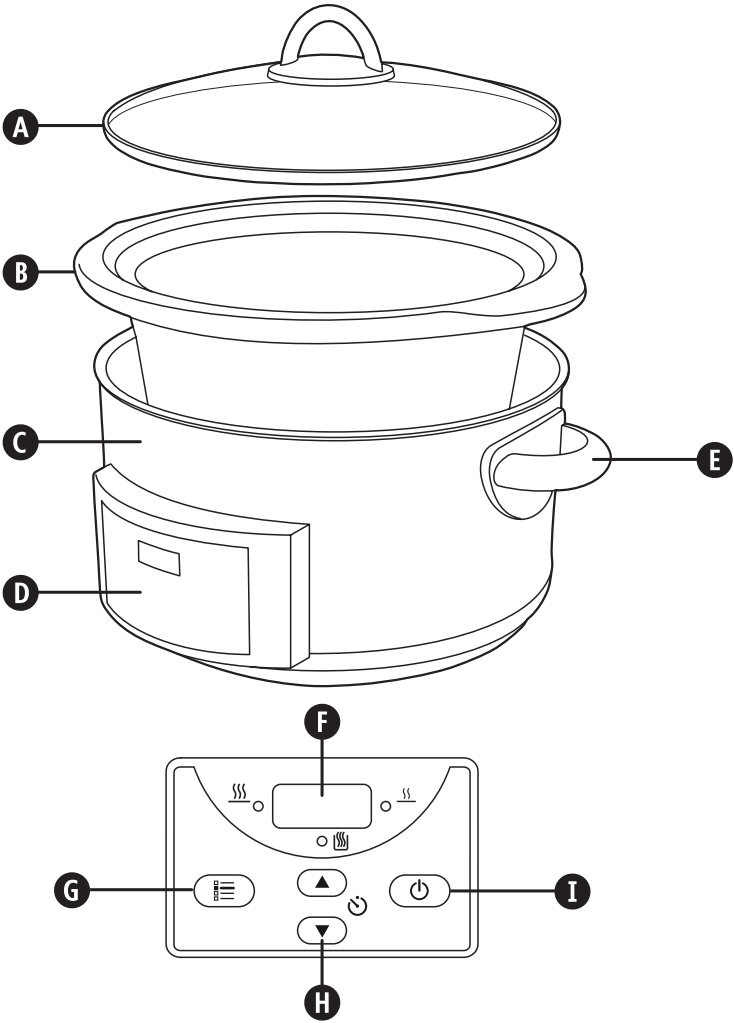
**INSTRUCTION MANUAL
NOTICE D'UTILISATION
BETRIEBSAN LEITUNG
MANUAL DE INSTRUCCIONES
MANUAL DE INSTRUÇÕES
GEBRUIKSAANWIJZING
BRUKSANVISNING
KÄYTTÖOHJE
BRUGSANVISNING
BRUKSANVISNING
NÁVOD K OBSLUZE**

READ AND SAVE THESE INSTRUCTIONS



English	4
Français/French	12
Deutsch/German	19
Español/Spanish	26
Português/Portuguese	33
Nederlands/Dutch	40
Svenska/Swedish	47
Suomi/Finnish	54
Dansk/Danish	61
Norsk/Norwegian	68
Česky/Czech	75





FITTING OF A PLUG - FOR U.K. AND IRELAND ONLY

If the plug is not suitable for the socket outlets in your home, it can be removed and replaced by a plug of the correct type. If the plug is unsuitable, it should be dismantled and removed from the supply cord and an appropriate plug fitted as detailed below. If you remove the plug it must not be connected to a 13 amp socket and the plug must be disposed of immediately.

WARNING - THIS APPLIANCE MUST BE EARTHED

CAUTION: If the terminals in the plug are not marked or if you are unsure or in doubt about the installation of the plug please contact a qualified electrician.

If a 13A 3-pin plug is fitted, it must be an ASTA approved plug, conforming to BS1363 standard. Replacement fuses must be BSI or ASTA BS1362 approved.

The wires in the mains lead are coloured as such:

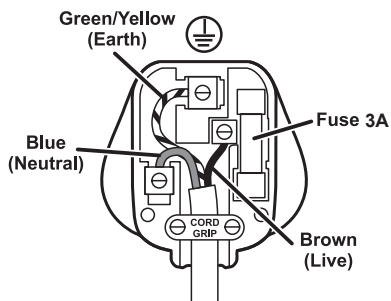
GREEN AND YELLOW	-	EARTH
BROWN	-	LIVE
BLUE	-	NEUTRAL

Please note that the colour of these mains wires may not correspond with the colour markings that identify the terminals in your plug. Please proceed as follows:

The wire which is coloured GREEN AND YELLOW must be connected to the terminal which is marked with the letter 'E' or by the earth symbol (⏏) or coloured GREEN or GREEN AND YELLOW.

The BROWN coloured wire must be connected to the terminal, which is marked with the letter "L" or is coloured RED.

The BLUE coloured wire must be connected to the terminal, which is marked with the letter "N" or is coloured BLACK.



IMPORTANT SAFEGUARDS

Please read this manual carefully before using this appliance, as correct use will give the best possible performance. Retain these instructions for future reference.

This appliance can be used by children aged from 8 years and above and persons with reduced physical, sensory or mental capabilities or lack of experience and knowledge if they have been given supervision or instruction concerning use of the appliance in a safe way and understand the hazards involved. Children shall not play with the appliance. Cleaning and user maintenance shall not be made by children without supervision.

If the supply cord is damaged, it must be replaced by the manufacturer or its service agent.

- ⚠ Allow adequate space above and on all sides for air circulation. Do not allow the appliance to touch any flammable material during use (such as curtains or wall coverings). Do not use under a wall cupboard.
- ⚠ Ensure the appliance is switched off and unplugged from the supply socket after use and before cleaning.
- ⚠ Always allow the appliance to cool before cleaning or storing.
- ⚠ Use extreme caution when moving the appliance when it contains hot food or hot liquids.
- ⚠ Avoid sudden temperature changes such as adding refrigerated foods into a heated pot.
- ⚠ Do not use the appliance if it has been dropped or if there are any visible signs of damage.
- ⚠ Never use this appliance for anything other than its intended use. This appliance is for household use only. Do not use this appliance outdoors
- ⚠ Never immerse any part of the appliance or power cord and plug in water or any other liquid.
- ⚠ Never let the power cord hang over the edge of a work top, touch hot surfaces or become knotted, trapped or pinched.
- ⚠ This appliance must not be placed on or near any potentially hot surfaces (such as a gas or electric hob).
- ⚠ Do not touch the external surfaces of the appliance during use as they may become very hot. Use oven gloves or a cloth when removing the lid. Beware of escaping steam when removing the lid.
- ⚠ Never operate the appliance if it is empty or without the lid fitted or if the lid is cracked or damaged.
- ⚠ Don't place the stoneware cooking pot on any surface affected by heat. Always place the pot onto a trivet or insulated mat.
- ⚠ Be careful when placing the cooking pot directly onto delicate or polished surfaces because the base of the pot is unglazed and can cause scratches or other marks. We recommend placing protective padding under the pot to protect these types of surface.

THIS APPLIANCE IS FOR HOUSEHOLD USE ONLY. DO NOT USE THE APPLIANCE FOR OTHER THAN THE INTENDED USE.

PREPARING YOUR CROCK-POT® SLOW COOKER FOR USE

Before you use your slow cooker, remove all packaging components and wash the lid and stoneware with warm soapy water and dry thoroughly.

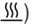

IMPORTANT NOTES: Some countertop and table surfaces are not designed to withstand the prolonged heat generated by certain appliances. Do not set the heated unit on a surface that may be damaged by heat. We recommend placing an insulated pad or suitably sized trivet under your slow cooker to prevent possible damage to the surface.


Please use caution when placing your stoneware on a ceramic or smooth glass cook top stove, countertop, table, or other surface. Due to the nature of the stoneware, the rough bottom surface may scratch some surfaces if caution is not used. Always place protective padding under stoneware before placing it on a table or countertop.


PARTS

- | | | | |
|----------|------------------|----------|---------------------------|
| A | Glass lid | F | Time setting display |
| B | Stoneware | G | Temperature select button |
| C | Heating base | H | Timer up/down buttons |
| D | Control panel | I | Standby button |
| E | Carrying handles | J | Power cord (not shown) |

HOW TO USE YOUR SLOW COOKER

1. Place the stoneware into the heating base, add your ingredients into the stoneware and cover with the lid. Plug in your Crock-Pot® slow cooker.
2. Select the temperature setting using the temperature select button **G**. The high temperature light () or low temperature light () will come on.

NOTE: The KEEP WARM setting () is ONLY for keeping food that has already been cooked warm. DO NOT cook on the WARM setting. We do not recommend using the WARM setting for more than 4 hours.

3. Press the timer up/down buttons **H** to select a cooking time. The time can be set in increments of 30 minutes up to 20 hours. Select the time based on the length of time indicated in the recipe. The time will begin to count down in one minute increments.
4. When cooking has finished, your slow cooker will automatically switch to the KEEP WARM setting and the keep warm light () will come on.
5. To stop cooking, press the standby button (**I**). Follow steps 2 and 3 above to return to cooking. To turn your slow cooker OFF, unplug it from the electrical outlet.

USAGE NOTES:

- If the mains power has been interrupted (power cut), the display and lights will flash when the power is restored. All the slow cooker settings will have been lost. As a result, the food may be unsafe to eat. If you are unaware of how long the power was off, we suggest you discard the food inside.
- If desired, you can manually switch to the KEEP WARM setting when your recipe has finished cooking.
- To avoid over or under-cooking, always fill the stoneware $\frac{1}{2}$ to $\frac{3}{4}$ full and conform to the recommended cooking times.
- Do not overfill the stoneware. To prevent spillover, do not fill the stoneware higher than $\frac{3}{4}$ full.
- Always cook with the lid on for the recommended time. Do not remove the lid during the first two hours of cooking to allow the heat to build up efficiently.
- Always wear oven gloves when handling the lid or stoneware.
- Unplug when cooking has finished and before cleaning.
- The removable stoneware is ovenproof. Do not use removable stoneware on a gas burner, electric hob or under a grill.

HOW TO CLEAN YOUR SLOW COOKER

- ALWAYS unplug your slow cooker from the electrical outlet and allow it to cool before cleaning.
- The lid and stoneware can be washed in the dishwasher or with hot, soapy water. Do not use abrasive cleaning compounds or scouring pads. A cloth, sponge, or rubber spatula will usually remove residue. To remove water spots and other stains, use a non-abrasive cleaner or vinegar.
- As with any fine ceramic, the stoneware and lid will not withstand sudden temperature changes. Do not wash the stoneware or lid with cold water when they are hot.
- The outside of the heating base may be cleaned with a soft cloth and warm, soapy water. Wipe dry. Do not use abrasive cleaners.
- CAUTION: Never immerse the heating base in water or any other liquid.
- No other servicing should be performed.

NOTE: After cleaning by hand allow the stoneware to air dry before storing.

HINTS AND TIPS

PASTA AND RICE:

- If a recipe requires noodles, macaroni etc. to be added, cook on a conventional stove until slightly tender and add to your slow cooker during the last 30 minutes of cooking. To use rice, stir in with the other ingredients and add ¼ cup extra of liquid for every ¼ cup of rice. Long grain rice gives better results.

BEANS:

- Beans must be softened completely before combining with sugar and/or acidic foods. Sugar and acid have a hardening effect on beans and will prevent softening.
- Dried beans, especially red kidney beans, should be boiled before adding to a recipe.
- Fully cooked canned beans may be used as a substitute for dried beans.

VEGETABLES:

- Many vegetables benefit from slow cooking and are able to develop their full flavour. They tend not to overcook in your slow cooker as they might in your oven or on your hob.
- When cooking recipes with vegetables and meat, place vegetables in slow cooker before meat. Vegetables usually cook more slowly than meat in the slow cooker.
- Place vegetables near the sides or bottom of the stoneware to facilitate cooking.

HERBS AND SPICES:

- Fresh herbs add flavour and colour, but should be added at the end of the cooking cycle as the flavour will dissipate over long cook times.
- Ground and/or dried herbs and spices work well in slow cooking and may be added at the beginning.
- The flavour power of all herbs and spices can vary greatly depending on their particular strength and shelf life. Use herbs sparingly, taste at end of cook cycle and adjust seasonings just before serving.

MILK:

- Milk, cream, and sour cream break down during extended cooking. When possible, add during the last 15 to 30 minutes of cooking.
- Condensed soups may be substituted for milk and can cook for extended times.

SOUPS:

- Some recipes call for large amounts of water. Add the soup ingredients to the slow cooker first then add water only to cover. If a thinner soup is desired, add more liquid when serving.

MEATS:

- Trim fat, rinse well, and pat meat dry with paper towels.
- Browning meat in a separate skillet or grill pan allows fat to be drained off before slow cooking and also adds greater depth of flavour.
- Meat should be positioned so that it rests in the stoneware without touching the lid.
- For smaller or larger cuts of meat, alter the amount of vegetables or potatoes so that the stoneware is always ½ to ¾ full.

- The size of the meat and the recommended cook times are just estimates and can vary depending upon the specific cut, type, and bone structure. Lean meats such as chicken or pork tenderloin tend to cook faster than meats with more connective tissue and fat such as beef chuck or pork shoulder. Cooking meat on the bone versus boneless will increase required cook times.
- Cut meat into smaller pieces when cooking with precooked foods such as beans or fruit, or light vegetables such as mushrooms, diced onion, aubergine or finely chopped vegetables. This enables all food to cook at the same rate.
- When cooking frozen meats, at least 1 cup of warm liquid must first be added. The liquid will act as a "cushion" to prevent sudden temperature changes. An additional 4 hours on LOW or 2 hours on HIGH is typically required. For larger cuts of frozen meat, it may take much longer to defrost and tenderise.

FISH:

- Fish cooks quickly and should be added at the end of the cooking cycle during the last fifteen minutes to hour of cooking.

LIQUID:

- For best results and to prevent food from drying or burning, always ensure an adequate amount of liquid is used in the recipe.
- It might appear that our recipes only have a small quantity of liquid in them but the slow cooking process differs from other cooking methods in that the added liquid in the recipe will almost double during the cooking time. So, if you are adapting a recipe for your slow cooker, please reduce the amount of liquid before cooking.

RECIPES

BABY BACK RIBS Serves 3–5

2–3 racks of baby back ribs cut into 3–4 pieces

600ml barbecue sauce

1-1½ onions, chopped

1. Place ribs in Crock-Pot® slow cooker. Top with onion and barbecue sauce.
2. Cover and cook on Low for 7-9 hours or on High for 4-5 hours, or until meat is tender.
3. To serve, cut ribs between bones and coat with extra sauce as desired.

BBQ PULLED PORK Serves 3–4

1 kg pork loin, trimmed of fat

600ml barbecue sauce

1–1½ onions, chopped

3-4 burger buns or soft rolls

1. Place pork loin in Crock-Pot® slow cooker. Top with onion and barbecue sauce.
2. Cover and cook on Low for 7–9 hours or on High for 4–5 hours, or until meat is tender.
3. Remove pork from Crock-Pot® slow cooker and shred with a fork. Add pork back into Crock-Pot® slow cooker and coat with sauce.
4. Serve BBQ pulled pork on burger buns or soft rolls.

BEEF BOURGUIGNON Serves 3-4

Flour

Sea salt and pepper

700g braising steak, cut into 2.5 centimetre cubes

1½ large carrots, peeled and sliced

½ medium onion, sliced

3 strips cooked bacon, cut into 2.5 cm pieces

150ml beef stock

240ml red or Burgundy wine

7-8g tomato purée

1 clove garlic, chopped

1½ sprigs fresh thyme, stemmed

1 bay leaf

225g fresh mushrooms, sliced

1. Coat beef in flour seasoned with salt and pepper. Sear beef in a frying pan on the hob (optional).
2. Place meat in Crock-Pot® slow cooker and add remaining ingredients.
3. Cover and cook on Low for 8–10 hours or on High for 6 hours, or until meat is tender.

LEMON HERB ROASTED CHICKEN Serves 4-6

1.5kg roasting chicken
1 small onion
Butter
Juice of one lemon
2.5g sea salt
15g fresh parsley
5g dried thyme
Pinch paprika
100ml water or stock

1. Place the onion in the cavity of the chicken and rub the skin with butter. Place chicken in Crock-Pot® slow cooker.
2. Squeeze lemon juice over chicken and sprinkle with the remaining seasonings. Add the water/stock then cover and cook on Low 8–10 hours or on High 4 hours.

CHICKEN CACCIATORE Serves 2-4

1–1½ onions, thinly sliced
500g chicken (breasts or thighs), skinned
200g can plum tomatoes, chopped
2 cloves garlic, chopped
200ml dry white wine or stock
15g capers
10 pitted Kalamata olives, chopped coarsely
Handful fresh parsley or basil, stemmed and coarsely chopped
Sea salt and pepper
Cooked pasta

1. Place sliced onion in Crock-Pot® slow cooker and cover with chicken.
 2. In a bowl, stir tomatoes, salt, pepper, garlic and white wine together. Pour over chicken.
 3. Cover and cook on Low for 6 hours or on High for 4 hours or, until chicken is tender.
 4. Stir in capers, olives and herbs just before serving.
 5. Serve over cooked pasta.
- Note: Cooking chicken on the bone versus boneless will increase cook time about 30 minutes to 1 hour.

CHILLI Serves 3–4

1 large onion, chopped
2-3 cloves garlic, chopped
1 green pepper, chopped
500g minced beef
400g can red kidney beans, drained
200g can diced tomatoes
1 chilli pepper (optional), seeded and chopped
7-8g tomato purée
2.5g cayenne pepper
100ml beef stock

1. Add all ingredients to Crock-Pot® slow cooker.
2. Cover and cook on Low for 8–9 hours or on High for 4 hours.

POT ROAST Serves 3–5

800g - 1kg shoulder of beef

1½ onions, sliced

Flour

1 stalk celery, sliced

Sea salt and pepper

120g mushrooms, sliced

1½ carrots, sliced

120ml beef stock or wine

1½ potatoes, peeled and quartered

1. Coat beef in flour seasoned with salt and pepper. Sear roast in a frying pan on hob (optional).
2. Place all vegetables in Crock-Pot® slow cooker, except mushrooms. Add roast and spread mushrooms on top. Pour in liquid.
3. Cover and cook on Low for 10 hours or on High for 6 hours, or until tender.

BEEF STEW Serves 3–4

500 - 600g shoulder of beef, cubed

Flour

Sea salt and pepper

350ml beef stock

7.5ml Worcestershire sauce

1½ cloves garlic, chopped

1 bay leaf

3 small potatoes, peeled and quartered

1-1½ onions, chopped

1½ celery stalks, sliced

1. Sprinkle flour, salt and pepper over meat. Place meat in Crock-Pot® slow cooker.
2. Add remaining ingredients and stir well.
3. Cover and cook on Low for 8–10 hours or on High for 6 hours, or until meat is tender. Stir thoroughly before serving.

EASY, HEALTHY FISH FILLET Serves 2-3

Sea salt and pepper

500 g white fish (cod, sea bass, etc), skinned

Fresh herbs (parsley, basil, tarragon, etc.)

1-1½ lemons, thinly sliced

Prepared salsa or olive tapenade to garnish

1. Season both sides of the fish and place in Crock-Pot® slow cooker. Cover top of fish with herbs and lemon slices, and place some under the fish.
2. Cover and cook on High for approximately 30–40 minutes, or until no longer translucent. Cook times vary depending on thickness of fish.
3. Remove lemon slices and top with salsa or tapenade.

GUARANTEE

Please keep your receipt as this will be required for any claims under this guarantee.

This appliance is guaranteed for 2 years after your purchase as described in this document.

During this guaranteed period, if in the unlikely event the appliance no longer functions due to a design or manufacturing fault, please take it back to the place of purchase, with your till receipt and a copy of this guarantee.

The rights and benefits under this guarantee are additional to your statutory rights, which are not affected by this guarantee. Only Jarden Consumer Solutions (Europe) Limited ("JCS (Europe)") has the right to change these terms.

JCS (Europe) undertakes within the guarantee period to repair or replace the appliance, or any part of appliance found to be not working properly free of charge provided that:

- you promptly notify the place of purchase or JCS (Europe) of the problem; and
- the appliance has not been altered in any way or subjected to damage, misuse, abuse, repair or alteration by a person other than a person authorised by JCS (Europe).

Faults that occur through, improper use, damage, abuse, use with incorrect voltage, acts of nature, events beyond the control of JCS (Europe), repair or alteration by a person other than a person authorised by JCS (Europe) or failure to follow instructions for use are not covered by this guarantee. Additionally, normal wear and tear, including, but not limited to, minor discoloration and scratches are not covered by this guarantee.

The rights under this guarantee shall only apply to the original purchaser and shall not extend to commercial or communal use.

If your appliance includes a country-specific guarantee or warranty insert please refer to the terms and conditions of such guarantee or warranty in place of this guarantee or contact your local authorized dealer for more information.

Waste electrical products should not be disposed of with household waste. Please recycle where facilities exist. E-mail us at enquiriesEurope@jardencs.com for further recycling and WEEE information.

Jarden Consumer Solutions (Europe) Limited
5400 Lakeside
Cheadle Royal Business Park
Cheadle
SK8 3GQ
UK



FRANÇAIS

IMPORTANT CONSIGNES DE SECURITE

LISEZ AVEC ATTENTION ET CONSERVEZ POUR RÉFÉRENCE.

Cet appareil peut être utilisé par des enfants à partir de 8 ans, ainsi que par des personnes aux capacités physiques, sensorielles ou intellectuelles réduites, ou encore à des personnes n'ayant aucune connaissance ou expérience en relation avec le produit à condition que ces personnes soient supervisées ou reçoivent des instructions claires concernant la sécurité et les risques encourus. Les enfants ne doivent pas jouer avec l'appareil. Le nettoyage et la maintenance utilisateur ne doivent pas être effectués par des enfants sans supervision.

En cas de détérioration du fil électrique ou de la prise d'alimentation, ils doivent être remplacés par le fabricant, son agent de service après-vente ou une personne qualifiée pour éviter tout danger.

- ⚠ Laissez suffisamment d'espace autour de l'appareil et au-dessus de ce dernier pour permettre à l'air de circuler. Veillez à ce que l'appareil ne rentre pas en contact avec tout matériau inflammable (rideau ou revêtement mural, par exemple) en cours d'utilisation. Ne l'utilisez pas sous un placard mural.
- ⚠ Assurez-vous que l'appareil est arrêté et débranchez-le avant de le nettoyer.
- ⚠ Attendez toujours que l'appareil se refroidisse avant de le nettoyer ou le ranger.
- ⚠ Soyez très vigilant lorsque vous déplacez l'appareil s'il contient des aliments ou du liquide chauds.
- ⚠ Évitez les écarts de température soudains (ne placez par exemple pas des aliments sortant du réfrigérateur dans une cocotte chaude).
- ⚠ N'utilisez pas l'appareil s'il a subi un choc, ou en cas de signes visibles de dommages ou en cas de fuite.
- ⚠ N'utilisez ce produit qu'aux fins pour lesquelles il est prévu. Cet appareil est conçu exclusivement pour une utilisation domestique. N'utilisez pas cet appareil à l'extérieur.
- ⚠ Ne plongez pas, même partiellement, l'appareil ou son cordon dans du liquide.
- ⚠ Ne laissez pas le cordon d'alimentation pendre dans le vide, toucher des surfaces chaudes ou s'emmêler, se bloquer ou se pincer.
- ⚠ Cet appareil ne doit pas être placé sur ou près de surfaces potentiellement chaudes (telles que des plaques de cuisson au gaz ou à l'électricité).
- ⚠ Ne touchez pas la surface extérieure de l'appareil en cours d'utilisation, car elle risque d'être brûlante. Utilisez un torchon ou des gants de cuisine pour soulever le couvercle. Faites attention à la vapeur qui se dégage lorsque vous soulevez le couvercle.
- ⚠ Ne mettez pas en marche l'appareil lorsqu'il est vide, si le couvercle n'est pas fermé ou s'il est fissuré ou endommagé.
- ⚠ Ne placez pas la cocotte en céramique sur une surface qui ne supporte pas la chaleur. Veillez à poser la cocotte sur un dessous-de-plat ou un support résistant à la chaleur.
- ⚠ Faites attention lorsque vous posez la cocotte sur une surface fragile ou cirée, car sa base n'est pas vitrifiée et risque de provoquer des rayures ou autres marques. Il est recommandé de placer un tissu matelassé sous la cocotte pour protéger les surfaces de ce type.

N'UTILISEZ CE PRODUIT QU'AUX FINS POUR LESQUELLES IL EST PRÉVU. CET APPAREIL EST CONÇU EXCLUSIVEMENT POUR UNE UTILISATION DOMESTIQUE.

PREPARATION A L'UTILISATION

Avant d'utiliser votre mijoteuse, retirer tous ce qui appartient à l'emballage et nettoyer le couvercle et la cocotte à l'eau chaude savonneuse et bien sécher.

REMARQUES IMPORTANTES: Ne placez pas la cocotte en céramique sur une surface qui ne supporte pas la chaleur. Veillez à poser la cocotte sur un dessous-de-plat ou un support résistant à la chaleur. .

Faites attention lorsque vous posez la cocotte sur une surface fragile ou cirée, car sa base n'est pas vitrifiée et risque de provoquer des rayures ou autres marques. Il est recommandé de placer un tissu matelassé sous la cocotte pour protéger les surfaces de ce type.

DESCRIPTION

- | | | | |
|----------|----------------------|----------|---------------------------------------|
| A | Couvercle en verre | F | Affichage du temps de cuisson |
| B | Cocotte en céramique | G | Touche de sélection de la température |
| C | Base chauffante | H | Touches haut/bas du minuteur |
| D | Panneau de commande | I | Touche Veille |
| E | Poignée | J | Cordon d'alimentation (non illustré) |

MODE D'EMPLOI DE VOTRE MIJOTEUSE

1. Poser la cocotte sur la base thermique, ajouter vos ingrédients et fermer le couvercle. Branchez la mijoteuse Crock-Pot®.
2. Sélectionnez la température appropriée à l'aide de la touche de sélection de la température (**G**). Le voyant lumineux de température élevée ($\overline{\text{H}}$) ou de faible température ($\underline{\text{L}}$) s'allume.

REMARQUE : le mode TENIR AU CHAUD ($\overline{\text{H}}$) est RÉSERVÉ aux plats déjà cuits dans la mijoteuse. N'utilisez pas le mode TENIR AU CHAUD pour cuire un plat. Nous vous recommandons de ne pas utiliser le mode TENIR AU CHAUD pendant plus de 4 heures.

3. Appuyez sur les touches haut/bas du minuteur (**H**) pour sélectionner une durée de cuisson. Vous pouvez régler la durée de cuisson par incréments de 30 minutes jusqu'à une valeur maximale de 20 heures. Sélectionnez la durée de cuisson indiquée dans la recette. Le compte à rebours débute minute par minute.
4. Une fois la cuisson terminée, la mijoteuse active automatiquement le mode TENIR AU CHAUD et le voyant lumineux correspondant ($\overline{\text{H}}$) s'allume.
5. Pour arrêter la cuisson, appuyez sur la touche Veille (**I**). Suivez les étapes 2 et 3 ci-dessus pour reprendre la cuisson. Pour arrêter la mijoteuse, débranchez-la.

REMARQUES:

- S'il y a eu une coupure de courant pendant la cuisson, quand le courant est restauré l'appareil sera éteint. Toutes les sélections auront été effacées et devront être choisies à nouveau. Mais il est possible qu'il soit maintenant dangereux de consommer ces aliments. Si vous ne savez pas quelle a été la durée de la coupure de courant, nous vous suggérons de jeter la nourriture.
- Le cas échéant, vous pouvez activer manuellement le mode TENIR AU CHAUD lorsque la cuisson du plat est terminée.
- Pour éviter qu'un plat ne soit trop ou pas assez cuit, remplissez la cocotte à la moitié ou aux $\frac{3}{4}$ et respectez le temps de cuisson indiqué.
- Ne pas remplir la cocotte à ras bord. Pour éviter de faire déborder, ne remplir la cocotte qu'au $\frac{3}{4}$.
- Toujours cuisiner avec le couvercle mis et pour la durée recommandée. Ne pas retirer le couvercle pendant les deux premières heures de la cuisson, pour que la chaleur s'accumule efficacement.
- Toujours utiliser des gants de cuisine lorsque vous touchez au couvercle ou à la cocotte.
- Débrancher quand la cuisson est terminée et avant de nettoyer.
- La cocotte amovible va au four traditionnel et au four à micro-ondes. Ne pas utiliser la cocotte amovible sur un brûleur à gaz ou électrique ou sous la grille à rôtisserie.

NETTOYAGE DE LA MIJOTEUSE

- Débranchez SYSTÉMATIQUEMENT la mijoteuse et laissez-la refroidir avant de la nettoyer.
- Le couvercle et la cocotte en grès vont au lave-vaisselle ; ils peuvent aussi être lavés avec de l'eau chaude savonneuse. Ne pas utiliser des produits nettoyants ou des tampons à récurer abrasifs. Nettoyer les résidus avec un chiffon, une éponge ou une spatule en plastique.
- Pour retirer les taches d'eau ou autres, utiliser un nettoyant non abrasif ou du vinaigre.
- Comme pour tout plat en céramique, la cocotte et le couvercle ne résistent pas aux changements brusques de température. Ne pas laver la cocotte ou le couvercle à l'eau froide lorsqu'ils sont chauds.
- L'extérieur de la base thermique peut être lavé à l'aide d'un chiffon doux et d'eau tiède savonneuse. Essuyez-le pour le sécher. Ne pas utiliser des produits nettoyants abrasifs.
- ATTENTION: N'immergez jamais la base thermique dans l'eau ou tout autre liquide.
- Aucun autre entretien ne devrait être nécessaire.

REMARQUE: Après avoir nettoyé la cocotte à la main, la laisser sécher avant de la ranger.

TRUCS ET ASTUCES

LES PÂTES ET LE RIZ:

- Si une recette contient des ingrédients tels que des nouilles ou des pâtes, cuisez-les sur une plaque de cuisson traditionnelle jusqu'à ce qu'ils soient légèrement tendres et placez-les dans la mijoteuse pendant les 30 dernières minutes de cuisson. Si vous utilisez du riz, mélangez-le aux autres ingrédients et ajoutez ¼ de tasse de liquide par ¼ de tasse de riz. Le riz à grains longs donne de meilleurs résultats.

LES HARICOTS:

- Les haricots doivent être totalement attendris avant de les mélanger avec des aliments sucrés ou acides. Le sucre et l'acide ont un effet durcissant sur les haricots et les empêcheront de se ramollir.
- Les haricots secs, en particulier les haricots rouges, devraient être passés à l'eau bouillante avant de les ajouter au reste des ingrédients de la recette.
- Il est possible de remplacer les haricots secs avec des haricots cuits en boîte.

LES LÉGUMES:

- Beaucoup de légumes bénéficient d'une cuisson lente car ils révèlent alors toute leur saveur. Il est plus difficile de cuire excessivement des légumes dans une mijoteuse qu'il ne l'est dans un four ou sur une plaque de cuisson.
- Lorsque vous préparez un plat avec des légumes et de la viande, mettez les légumes dans la mijoteuse avant la viande. De manière générale, dans la mijoteuse, les légumes cuisent plus lentement que la viande.
- Pour faciliter la cuisson, mettre les légumes sur les côtés ou au fond de la cocotte.

LES HERBES FRAICHES ET LES ÉPICES:

- Les herbes fraîches apportent arôme et couleur mais devraient être ajoutées à la fin de la cuisson car la saveur se dissipe pendant une longue cuisson.
- Des herbes en poudre et/ou séchées sont parfaites pour une mijoteuse et peuvent être ajoutées dès le début de la cuisson.
- Le pouvoir aromatique des herbes et des épices varient en fonction de leur force et de leur fraîcheur. Utiliser les herbes modérément, goûter à la fin du cycle de cuisson et ajuster l'assaisonnement juste avant de servir.

LE LAIT:

- Le lait, la crème et la crème fraîche se désintègrent si la cuisson est longue. Si possible, ajouter ces ingrédients 15 à 30 minutes avant la fin de la cuisson.
- Vous pouvez remplacer le lait avec de la soupe condensée car elle résiste à une longue cuisson.

LES SOUPES:

- Certaines recettes de soupe requièrent de larges quantités d'eau. Mettre d'abord tous les ingrédients de la soupe dans la cocotte puis ajouter l'eau jusqu'à recouvrement. Si vous désirez une soupe plus liquide, ajoutez plus de liquide au moment de servir.

LES VIANDES:

- Enlever le gras, rincer et sécher la viande avec une serviette en papier.

- Faire griller la viande dans une poêle à part vous permet de dégraisser la viande avant de la mettre dans la mijoteuse, et permet aussi d'ajouter plus de profondeur au goût.
- La viande doit être positionnée dans la cocotte de telle façon qu'elle ne touche pas le couvercle.
- Pour des morceaux plus petits ou plus grands, ajuster la quantité de légumes ou de pommes de terre pour que la cocotte ne soit jamais remplie au delà de la $\frac{1}{2}$ ou des $\frac{3}{4}$.
- La taille des morceaux de viande et les temps de cuisson recommandés ne sont que des estimations et peuvent varier en fonction du morceau, du type de viande et de la structure de l'os. Les viandes maigres comme par exemple le poulet ou le rôti de porc ont tendance à cuire plus vite que les viandes avec plus de tissus adipeux et de gras comme par exemple l'épaule de boeuf ou de porc. Faire cuire la viande sur l'os au lieu d'enlever l'os augmentera le temps de cuisson.
- Couper la viande en petits morceaux lorsque vous cuisez avec des aliments précuits comme par exemple des haricots ou des fruits, ou des légumes légers tels que champignons, oignons coupés en rondelles, aubergine ou des légumes en julienne. Ceci permet à tous les ingrédients d'être cuits en même temps.
- Lorsque vous faites cuire de la viande congelée, ajouter au moins 1 tasse de liquide chaud. Le liquide permettra d'amortir les effets du froid et évitera le changement brusque de température. En général, il faut ajouter 4 heures sur BAS (LOW) ou 2 heures sur FORT. Pour de grands morceaux de viande congelée, il est possible qu'il faille plus longtemps pour décongeler et attendrir.

LE POISSON:

- Le poisson cuit rapidement et il convient de l'ajouter entre quinze minutes et une heure avant la fin de la cuisson.

LE LIQUIDE:

- Pour de meilleurs résultats et pour éviter aux aliments de sécher ou brûler, vous assurer que la recette utilise suffisamment de liquide.
- Il peut sembler à première vue que nos recettes ne contiennent qu'une faible quantité de liquide, mais le processus de cuisson lente diffère des autres méthodes de cuisson en ce sens que le liquide indiqué dans la recette double quasiment pendant la cuisson. Si vous adaptez une recette traditionnelle pour cuire un plat dans la mijoteuse, veillez à réduire la quantité de liquide placé dans la cocotte.

RECETTES

COTES LEVEES DE DOS Pour 3 à 5 personnes

2-3 carrés de côtes levées de dos coupées en 3 à 4 morceaux chacun

600ml de sauce barbecue

1-1½ oignons, hachés

1. Mettre les côtes dans la mijoteuse Crock-Pot®. Recouvrir avec les oignons et la sauce barbecue.
2. Fermer le couvercle et faire cuire sur Bas (Low) pendant 8 heures ou sur Fort (High) pendant 4 heures, ou jusqu'à ce que la viande soit tendre.
3. Pour servir, couper les côtes entre chaque os et couvrir d'un peu plus de sauce si vous le désirez.

TIRE DE PORC BBQ Pour 3 à 4 personnes

1 kg de longe de porc, dégraissé ou pas

600ml de sauce barbecue

1-1½ oignons, hachés

3-4 pains à hamburger ou petits pains

1. Mettre la longe de porc dans la mijoteuse Crock-Pot®. Recouvrir avec les oignons et la sauce barbecue.
2. Fermer le couvercle et faire cuire sur Bas (Low) pendant 8 heures ou sur Fort (High) pendant 4 heures, ou jusqu'à ce que la viande soit tendre.
3. Retirer le porc de la mijoteuse Crock-Pot® et effiler avec une fourchette. Remettre le porc dans la mijoteuse Crock-Pot® et recouvrir de sauce.
4. Servir le tiré de porc BBQ avec du pain à hamburger ou des petits pains.

BOEUF BOURGUIGNON Pour 3 à 4 personnes

Farine

Sel de mer et poivre

700g d'épaule de boeuf, coupée en cubes de 2,5 centimètre

1½ grosses carottes, épluchées et coupées en rondelles

½ oignon de taille moyenne, coupé en rondelles

3 lanières de lard cuit, coupées en morceaux de 2,5 cm

150ml de bouillon de boeuf

240ml de vin rouge ou Bordeaux

7-8g de concentré de tomate

1 d'gousses d'ail, émincées

1½ branches de thym frais, équeutées

1 feuille de laurier

225g de champignons frais, coupés en morceaux

1. Recouvrir le boeuf de farine, sel et poivre. Faire griller le boeuf dans la poêle sur une plaque de cuisson (optionnel).
2. Mettre la viande dans la mijoteuse Crock-Pot® et ajouter le reste des ingrédients.
3. Couvrir et faire cuire sur Bas (Low) pendant 8 à 10 heures ou sur Fort pendant 6 heures, ou jusqu'à ce que la viande soit tendre.

POULET GRILLE AUX HERBES ET AU CITRON Pour 4 à 6 personnes

1.5 kg de poulet rôti

1 petit oignon

Le beurre

Le jus d'un citron

2,5 g de sel de mer

15 g de persil frais

5 g de thym séché

5g de paprika

100ml eau ou de bouillon

1. Mettre l'oignon à l'intérieur de la cavité du poulet et frotter la peau avec du beurre. Mettre le poulet dans la mijoteuse Crock-Pot®.
2. Verser le jus du citron pressé sur le poulet et saupoudrer avec le reste des ingrédients. Couvrir et faire cuire sur Bas (Low) pendant 8 à 10 heures ou sur Fort (High) pendant 4 heures.

POULET CACCIATORE Pour 2 à 4 personnes

1-1½ oignons, émincés

500g de poulet (poitrine ou cuisse), avec la peau

200g de tomates en boîtes, coupées en morceaux

2 gousses d'ail, émincées

200ml de vin blanc sec ou de bouillon

15g de câpres

10 Kalamata dénoyautées, coupées en gros morceaux

1 bouquet de persil frais ou de basilique, équeuté et haché en gros morceaux

Sel de mer et poivre

Pâtes cuites

1. Mettre l'oignon coupé en rondelles dans la mijoteuse Crock-Pot® et recouvrir avec le poulet.
2. Dans un bol, mélanger les tomates avec le sel, le poivre, l'ail et le vin blanc. Verser sur le poulet.
3. Couvrir et faire cuire sur Bas (Low) pendant 6 heures ou sur Fort (High) pendant 4 heures ou jusqu'à ce que le poulet soit tendre.
4. Ajouter les câpres, les olives et les herbes juste avant de servir et mélanger.
5. Servir sur un lit de pâtes déjà cuites.
Remarque: Cuire du poulet avec les os au lieu de le désosser augmentera le temps de cuisson d'environ 30 minutes à 1 heure.

CHILLI Pour 3 à 4 personnes

1 gros oignon, hachés
2-3 gousses d'ail, émincées
1 poivron vert, hachés
500g de boeuf découpé, cuit et égoutté
400g d'haricots rouges en boîte, rincés et égouttés
200g de tomates coupés en dés
1 piment jalapeno, retirer les graines et couper en lanières
7-8g purée de tomates
2.5g de poivre de Cayenne
100ml de bouillon de boeuf

1. Mettre tous les ingrédients dans la mijoteuse Crock-Pot®.
2. Couvrir et laisser cuire sur Bas (Low) pendant 8 à 9 heures ou sur Fort (High) pendant 4 heures.

BOEUF BRAISE Pour 3 à 5 personnes

800g - 1kg de rôti de boeuf
1½ oignons, coupés en rondelle
Farine
1 tige de céleri, coupés en rondelle
Sel de mer et poivre
120g de champignons, coupés en rondelles
1½ carottes, coupées en rondelles
120ml de bouillon de boeuf ou de vin
1½ pommes de terre, coupées en quatre

1. Enrober le boeuf de farine (½ tasse), sel et poivre. Faire griller le rôti dans une poêle sur plaque de cuisson (optionnel).
2. Mettre tous les légumes dans la mijoteuse Crock-Pot®, à l'exception des champignons. Ajouter le rôti et étaler les champignons sur le dessus. Verser le liquide.
3. Couvrir et laisser cuire sur Bas (Low) pendant 10 heures ou sur Fort (High) pendant 6 heures, ou jusqu'à ce que la viande soit tendre.

RAGOUT DE BOEUF Pour 3 à 4 personnes

500 - 600g d'épaule de boeuf pour ragout, coupée en cube d'environ 2,5cm
Farine
Sel de mer et poivre
350ml de bouillon de boeuf
7.5ml de sauce Worcestershire
1½ gousses d'ail, émincées
1 feuille de laurier
3 petites pommes de terre, coupées en quarte
1-1½ oignons, hachés
1½ tiges de céleri, coupées en rondelles

1. Saupoudrer la viande de farine, sel et poivre. Mettre la viande dans la mijoteuse Crock-Pot®.
2. Ajouter le reste des ingrédients et bien mélanger.
3. Couvrir et faire cuire sur Bas (Low) pendant 8-10 heures ou sur Fort (High) pendant 6 heures, ou jusqu'à ce que la viande soit tendre. Bien mélanger avant de servir.

FILLET DE POISSON, FACILE A FAIRE ET BON POUR LA SANTE Pour 2 à 3 personnes

Sel de mer et poivre
500g de poisson blanc
Des herbes fraîches équeutées (persil plat, basilic, estragon, herbes aromatiques ou un mélange)
1-1½ citrons, coupés en tranches fines
Sauce tout préparée ou de la tapenade d'olives pour garnir

1. Saupoudrer le poisson de sel et de poivre des deux côtés et le mettre dans la mijoteuse Crock-Pot®. Recouvrir le poisson avec les herbes et les tranches de citron, en mettre aussi sous le poisson.
2. Couvrir et faire cuire sur Fort (High) pendant environ 30–40 minutes, ou jusqu'à ce que le poisson ne soit plus transparent. Le temps de cuisson varie en fonction de l'épaisseur du poisson.
3. Retirer les tranches de citron et recouvrir de sauce ou de tapenade.

GARANTIE

Veillez conserver votre ticket de caisse, il vous sera demandé lors de toute réclamation sous garantie.

Cet appareil est garanti 2 ans à partir de la date d'achat, comme indiqué dans le présent document.

Dans le cas peu probable d'une panne résultant d'un défaut de conception ou de fabrication au cours de la période de garantie, veuillez rapporter l'appareil au magasin où vous l'avez acheté avec votre ticket de caisse et une copie de cette garantie.

Vos droits statutaires ne sont aucunement affectés par cette garantie. Seul Jarden Consumer Solutions (Europe) Limited (« JCS (Europe) ») peut modifier ces dispositions.

JCS (Europe) s'engage à réparer ou remplacer gratuitement, pendant la période de garantie, toute pièce de l'appareil qui se révèle défectueuse sous réserve que :

- vous avertissiez rapidement le magasin ou JCS (Europe) du problème ; et
- l'appareil n'ait pas été altéré de quelque manière que ce soit ou endommagé, utilisé incorrectement ou abusivement, ou bien réparé ou altéré par une personne autre qu'une personne agréée par JCS (Europe) Products Europe.

Cette garantie ne couvre pas les défauts liés à une utilisation incorrecte, un dommage, une utilisation abusive, l'emploi d'une tension incorrecte, les catastrophes naturelles, les événements hors du contrôle de JCS (Europe), une réparation ou une altération par une personne autre qu'une personne agréée par JCS (Europe) ou le non-respect des instructions d'utilisation. De plus, cette garantie ne couvre pas non plus l'usure normale, y compris, mais sans limitation, les petites décolorations et éraflures.

Cette garantie s'applique uniquement à l'acheteur d'origine et elle n'étend aucun droit à toute personne acquérant l'appareil pour un usage commercial ou communal.

Si votre appareil est accompagné d'une garantie locale ou d'une carte de garantie, veuillez en consulter les dispositions et conditions en vigueur, ou vous adresser à votre revendeur local pour en savoir plus.

Cette marque indique que ce produit ne devrait pas être jeté avec les ordures ménagères, mais séparément partout à travers l'UE. Afin de prévenir tout dommage potentiel à la santé humaine ou à l'environnement par l'évacuation non contrôlée des déchets en raison de la présence de substances dangereuses dans le produit, recycler l'appareil de manière responsable afin de promouvoir la réutilisation durable des matériaux et des ressources. Pour retourner votre produit usagé, veuillez utiliser les systèmes de retour et de cueillette offerts à l'endroit où vous avez acheté le produit. Ils sont en mesure de reprendre votre produit afin de le recycler sans danger pour l'environnement.



Jarden Consumer Solutions (Europe) Limited
5400 Lakeside
Cheadle Royal Business Park
Cheadle
SK8 3GQ
UK

DEUTSCH

WICHTIGE SICHERHEITSHINWEISE

Bitte lesen Sie sich vor Inbetriebnahme dieses Geräts dieses Benutzerhandbuch sorgfältig durch, da korrekte Bedienung die bestmögliche Leistung sicherstellt. Heben Sie diese Anleitung für zukünftige Fragen auf.

Dieses Gerät kann von Kindern ab acht Jahren und von Personen mit eingeschränkten körperlichen, sensorischen oder geistigen Fähigkeiten oder einem Mangel an Erfahrung und Wissen verwendet werden, sofern sie beaufsichtigt werden oder in den sicheren Gebrauch des Geräts eingewiesen wurden und die damit verbundenen Gefahren verstehen. Kinder dürfen mit dem Gerät nicht spielen. Die Reinigung und Benutzerwartung darf nicht von Kindern ohne Beaufsichtigung durchgeführt werden.

Beschädigte Stromkabel müssen durch den Hersteller, den Kundendienst oder andere qualifizierte Personen ersetzt werden, um Gefahren auszuschließen.

- ⚠ Lassen Sie oben und an den Seiten ausreichend Platz, damit die Luft zirkulieren kann. Bringen Sie das Gerät während des Betriebs nicht mit entflammaren Materialien (wie Vorhängen oder Wandverkleidungen) in Berührung. Nehmen Sie das Gerät nicht unter einem Hängeschrank in Betrieb.
- ⚠ Stellen Sie vor dem Reinigen sicher, dass das Gerät ausgestellt ist und trennen Sie es von der Stromzufuhr.
- ⚠ Das Gerät kann so vor der Reinigung oder Lagerung abkühlen.
- ⚠ Bewegen Sie das Gerät nur sehr vorsichtig, wenn es heiße Speisen oder Flüssigkeiten enthält.
- ⚠ Vermeiden Sie plötzliche Temperaturveränderungen, z. B. durch das Beifügen gekühlter Lebensmittel in einen heißen Topf.
- ⚠ Verwenden Sie das Gerät nicht, wenn es heruntergefallen ist, Beschädigungen sichtbar sind oder das Gerät leckt.
- ⚠ Setzen Sie das Gerät nie für Zwecke ein, für die es nicht bestimmt ist. Das Gerät wurde für die Verwendung in Privathaushalten entwickelt. Verwenden Sie das Gerät nicht im Freien.
- ⚠ Tauchen Sie Teile des Geräts oder Stromkabels nicht ins Wasser oder andere Flüssigkeiten.
- ⚠ Achten Sie darauf, dass das Stromkabel nicht über den Rand der Arbeitsfläche hängt, heiße Oberflächen berührt, verknotet, eingeklemmt wird oder sich verfängt.
- ⚠ Stellen Sie das Gerät nicht in die Nähe von oder auf Oberflächen, die heiß werden können (z. B. einen Herd oder Kochfelder).
- ⚠ Berühren Sie die Außenwände des Geräts während des Gebrauchs nicht, da diese sehr heiß werden. Verwenden Sie beim Öffnen des Deckels einen Topflappen oder -handschuh. Achten Sie beim Öffnen des Deckels auf entweichenden heißen Dampf.
- ⚠ Betreiben Sie das Gerät nie, wenn es leer ist oder ohne Deckel oder mit einem rissigen oder anderweitig beschädigtem Deckel.
- ⚠ Setzen Sie den Steinguttopf nicht auf hitzeempfindlichen Oberflächen ab. Setzen Sie den Topf immer auf einen Untersetzer oder eine isolierte Unterlage ab.
- ⚠ Seien Sie vorsichtig, wenn Sie den Topf direkt auf polierte oder empfindliche Oberflächen absetzen. Die Unterseite des Topfes ist nicht glasiert und kann Kratzer oder andere Schäden verursachen. Wir empfehlen, solche Oberflächen durch Unterlegen einer schützenden Unterlage zu schonen.

SETZEN SIE DAS GERÄT NIE FÜR ZWECKE EIN, FÜR DIE ES NICHT BESTIMMT IST. DAS GERÄT WURDE FÜR DIE VERWENDUNG IN PRIVATHAUSHALTEN ENTWICKELT.

VOR DEM ERSTEN GEBRAUCH

Zunächst entfernen Sie das Verpackungsmaterial und waschen den Deckel und das Steinzeug mit warmem Seifenwasser und trocknen alles sorgfältig ab.

IMPORTANT NOTES: Setzen Sie den Steinguttopf nicht auf hitzeempfindlichen Oberflächen ab. Setzen Sie den Topf immer auf einen Untersetzer oder eine isolierte Unterlage ab.

Seien Sie vorsichtig, wenn Sie den Topf direkt auf polierte oder empfindliche Oberflächen absetzen. Die Unterseite des Topfes ist nicht glasiert und kann Kratzer oder andere Schäden verursachen. Wir empfehlen, solche Oberflächen durch Unterlegen einer schützenden Unterlage zu schonen.

CROCK-POT® SLOW COOKER KOMPONENTEN

- | | | | |
|----------|--------------|----------|-------------------------------|
| A | Glasdeckel | F | Zeiteinstellungsanzeige |
| B | Steinguttopf | G | Temperatúrauswahl Taste |
| C | Außentopf | H | Timerauswahl Tasten |
| D | Bedienfeld | I | Standby-Taste |
| E | Tragegriff | J | Netzkabel (nicht dargestellt) |

GEBRAUCH IHRES SLOW COOKER

1. Steinguttopf in die Heizeinheit stellen, alle Zutaten dem Steinguttopf hinzufügen und mit dem Deckel zudecken. Stecken Sie den Stecker des Crock-Pot®-Schongarers in die Steckdose.
2. Wählen Sie mithilfe des Temperaturreglers (**G**) die gewünschte Temperatur. Die Anzeigelampe für hohe Temperaturen ($\overline{\text{III}}$) oder niedrige Temperaturen ($\underline{\text{I}}$) leuchtet auf.
HINWEIS: Die Warmhalteinstellung ($\overline{\text{II}}$) ist NUR für Speisen gedacht, die bereits erhitzt wurden. Kochen Sie KEINE Speisen mit der Einstellung WARM. Die Einstellung WARM sollte nicht länger als vier Stunden verwendet werden.
3. Drücken Sie die Tasten für die Timereinstellung (**H**), um eine Kochzeit auszuwählen. Sie können in 30-Minuten-Schritten eine Kochzeit von bis zu 20 Stunden wählen. Wählen Sie die Zeit entsprechend des im Rezept angegebenen Zeitbedarfs. Die Zeitanzeige läuft im Minutentakt ab.
4. Ist der Kochvorgang abgeschlossen, wechselt der Schongarer automatisch in die Warmhaltefunktion. Dabei leuchtet die Warmhalteleuchte ($\overline{\text{II}}$) auf.
5. Soll der Kochvorgang gestoppt werden, drücken Sie die Standby-Taste (**I**). Folgen Sie den oben beschriebenen Schritten 2 und 3, um den Kochvorgang wieder zu starten. Um den Schongarer auszuschalten, trennen Sie ihn vom Netz.

HINWEISE:

- Falls es während der Kochzeit zu einem Stromausfall kommt, ist das Gerät nach Wiederherstellung der Stromversorgung ausgeschaltet. Alle Slow Cooker-Einstellungen wurden gelöscht und müssen neu eingestellt werden. Es ist möglich, dass das Nahrungsmittel nicht mehr genießbar ist. Falls Sie nicht wissen, wie lange der Stromausfall war, empfehlen wir das Nahrungsmittel wegzuerwerfen.
- Wenn gewünscht, können Sie manuell in den Warmhaltemodus wechseln, wenn die Speisen gar sind.
- Um ein zu langes oder kurzes Kochen der Speisen zu vermeiden, füllen Sie den Steinguttopf immer zur Hälfte oder bis zu Dreiviertel und passen Sie die empfohlene Garzeit entsprechend an.
- Steinguttopf nicht zu voll machen. Um ein Überlaufen zu verhindern, den Steinguttopf nicht mehr als zu Dreiviertel auffüllen.
- Beim Kochen immer den Deckel während der empfohlenen Zeit verwenden. Deckel während der ersten zwei Stunden Kochzeit nicht entfernen, damit sich die Hitze effizient entfalten kann.
- Zum Anfassen des Deckels oder Topfes stets Topflappen oder Topfhandschuhe verwenden.
- Stecken Sie das Gerät nach der Kochzeit aus und auch vor dem Reinigen.
- Herausnehmbarer Steinguttopf ist backofen- und mikrowellenfest. Herausnehmbarer Steinguttopf darf nicht auf einem Gas- oder Elektroherd oder unter einem Grill verwendet werden.

REINIGUNG IHRES SLOW COOKER

- Trennen Sie den Schongarer vor dem Reinigen IMMER vom Netz und lassen Sie ihn auskühlen.
- Der Deckel und das Slow Cooker Steinzeug können im Geschirrspüler oder mit warmem Seifenwasser gereinigt werden. Verwenden Sie keine Scheuermittel oder Topfreiniger. Hartnäckige Reste können in der Regel mit einem Tuch, einem Schwamm oder einer Plastikspachtel entfernt werden. Um Wasserflecken oder andere Flecken zu entfernen, einen nicht scheuernden Reiniger oder Essig verwenden.
- Wie bei Feinkeramik können Steinzeug und Deckel keine plötzlichen Temperaturveränderungen ertragen. Steinguttopf oder Deckel nicht mit kaltem Wasser waschen, solange sie noch heiß sind.
- Das Äußere des Heizsockels kann mit einem weichen Tuch und warmem Seifenwasser gereinigt werden. Trocken abwischen. Keine Scheuermittel verwenden.
- VORSICHT: Tauchen Sie den Heizsockel niemals in Wasser oder andere Flüssigkeiten ein.
- Es ist keine zusätzliche Pflege vonnöten.

HINWEIS: Nach dem Reinigen von Hand den Topf vor der Aufbewahrung an der Luft trocknen lassen

TIPPS UND EMPFEHLUNGEN

TEIGWAREN UND REIS:

- Müssen für ein Rezept Nudeln hinzugefügt werden, kochen Sie diese in einem herkömmlichen Topf leicht weich und fügen Sie sie dann während der letzten Minuten des Garvorgangs zum Schongarer hinzu. Bei Rezepten mit Reis rühren Sie den Reis unter die anderen Zutaten und fügen für jede 1/4 Tasse Reis eine 1/4 Tasse Wasser hinzu. Langkömiger Reis führt zu besseren Ergebnissen..

BOHNEN:

- Bohnen müssen ehe sie mit Zucker und/oder säurehaltigen Nahrungsmitteln vermengt werden, erst völlig weich sein. Zucker und Säure haben auf Bohnen eine verfestigende Wirkung und verhindern das Weichwerden.
- Trockenbohnen, insbesondere Feuerbohnen, sollten ehe Sie sie dem Rezept hinzufügen erst gekocht werden.
- Völlig gekochte Dosenbohnen können anstelle von Trockenbohnen verwendet werden.

GEMÜSE:

- Viele Gemüsearten eignen sich besonders für ein langsames Garen und entwickeln dadurch erst ihren vollen Geschmack. Im Gegensatz zum Ofen oder Herdplatten wird Gemüse in Ihrem Slow Cooker nicht so verkocht.
- Bei einem Rezept von Gemüse und Fleisch geben Sie das Gemüse vor dem Fleisch in den Slow Cooker. Gemüse kocht gewöhnlich langsamer als Fleisch in dem Slow Cooker.
- Verteilen Sie das Gemüse mehr an den Seiten oder auf dem Boden des Steinguttopfes zur Förderung des Garens.

KRÄUTER UND GEWÜRZE:

- Frische Kräuter geben dem Gericht einen guten Geschmack und verleihen ihm Farbe, sollten aber erst gegen Ende des Kochzyklus hinzugefügt werden, da der Geschmack bei längeren Kochzeiten verfliegt.
- Gemahlene und/oder getrocknete Kräuter und Gewürze eignen sich besonders für ein langsames Garen und können gleich zu Anfang hinzugefügt werden.
- Die Geschmacksintensität aller Kräuter und Gewürze kann je nach ihrer speziellen Intensität und Haltbarkeit sehr unterschiedlich sein. Verwenden Sie Kräuter nur sparsam, kosten Sie nach Ende des Kochzyklus und würzen Sie vor dem Servieren eventuell nach.

MILCH:

- Milch, Sahne und saure Sahne zersetzen sich bei längeren Kochzeiten. Wenn möglich erst in den letzten 15 bis 30 Minuten der Kochzeit hinzufügen.
- Kondenssuppen können anstelle von Milch verwendet werden und über längere Zeiten gekocht werden.

SUPPEN:

- Manche Suppenrezepte erfordern große Wassermengen. Geben Sie die anderen Suppenzutaten zuerst in den Slow Cooker und danach nur genügend Wasser zum Bedecken. Wenn eine dünnere Suppe gewünscht wird, geben Sie kurz

vor dem Servieren mehr Flüssigkeit hinzu.

FLEISCH:

- Fett abschneiden, gut abspülen und das Fleisch mit einem Papiertuch trocken tupfen.
- Wenn das Fleisch zuerst in einer Pfanne oder auf einem Grill vorgebräunt wird, tropft das Fett vor dem langsamen Garen ab und verleiht dem Fleisch obendrein einen besseren Geschmack.
- Das Fleisch sollte so in den Steinguttopf gegeben werden, dass es den Deckel nicht berührt.
- Bei kleineren oder größeren Fleischmengen passen Sie das Gemüse oder die Kartoffeln so an, dass der Topf immer zur Hälfte oder zu Dreiviertel gefüllt ist.
- Die Fleischmenge und die empfohlenen Kochzeiten sind nur Schätzungen und können je nach Zuschnitt, Art und Knochenstruktur unterschiedlich sein. Mageres Fleisch wie Huhn oder Schweinslende kochen normalerweise schneller als Fleisch mit Bindegewebe und fettiges Fleisch wie Rindernacken oder Schweineschulter. Garen von Fleisch mit Knochen dauert im Gegensatz zu knochenlosem Fleisch länger.
- Schneiden Sie das Fleisch in kleinere Stücke, wenn Sie es mit vorgekochten Nahrungsmitteln wie Bohnen oder Früchten kochen oder mit delikaten Sachen wie Pilzen, gehackten Zwiebeln, Aubergine oder fein geschnittenem Gemüse. Auf diese Weise garen alle Nahrungsmittel zur gleichen Zeit.
- Bei gefrorenem Fleisch muss zuerst mindestens eine Tasse warmer Flüssigkeit in den Topf gegeben werden. Die Flüssigkeit wirkt als „Polster“ zur Verhütung plötzlicher Temperaturschwankungen. Normalerweise werden zusätzlich vier Stunden auf LOW (NIEDRIG) oder zwei Stunden auf HIGH (HOCH) benötigt. Bei größeren Stücken gefrorenem Fleisch kann es sogar viel länger dauern bis es auftaut und zart wird.

FISCH:

- Da Fisch schnell gar wird, sollte er gegen Ende der Zubereitungszeit, also in den letzten fünfzehn bis sechzig Minuten, zugegeben werden.

FLÜSSIGKEIT:

- Für das beste Ergebnis und um zu verhindern, dass Nahrungsmittel austrocknen oder anbrennen, vergewissern Sie sich stets, dass eine angemessene Menge Flüssigkeit für das Rezept verwendet wird.
- Die Flüssigkeitsangaben in den Rezepten erscheinen möglicherweise gering, der langsame Garprozess unterscheidet sich jedoch von anderen Garprozessen. Die hinzugefügte Flüssigkeit verdoppelt sich während des Schongarprozesses nahezu. Wenn Sie ein Rezept für den Schongarer anpassen, reduzieren Sie bitte die Menge der hinzuzufügenden Flüssigkeit.

REZEPTE

BABY BACK RIBS (RIPPCHEN) 3–5 Portionen

2–3 Rippenstücke Baby Back Rippchen, in jeweils 3 bis 4 Stücke zerschneiden

600ml Barbecue-Soße

1-1½ Zwiebeln, gehackt

1. Rippchen in den Crock-Pot® Slow Cooker geben. Mit den Zwiebeln und der Barbecue-Soße bedecken.
2. Zudecken und 8 Stunden lang auf LOW (NIEDRIG) oder 4 Stunden lang auf HIGH (HOCH) kochen oder solange bis das Fleisch zart ist.
3. Zum Servieren die Rippchen zwischen den Knochen aufschneiden und falls gewünscht mit extra Soße bestreichen.

BBQ PULLED PORK (BARBECUE-SCHWEINELENDE) 3–4 Portionen

1 kg Schweinelende - Fettbestandteile entfernen

600ml Barbecue-Soße

1–1½ Zwiebeln, gehackt

3-4 Hamburgerbrötchen oder knusprige Brötchen

1. Schweinelende in den Crock-Pot® Slow Cooker geben. Mit den Zwiebeln und der Barbecue-Soße bedecken.
2. Zudecken und 8 Stunden lang auf LOW (NIEDRIG) oder 4 Stunden lang auf HIGH (HOCH) kochen oder solange bis das Fleisch zart ist.

3. Schweinelende aus dem Crock-Pot® Slow Cooker nehmen und mit einer Gabel zerteilen. Fleisch wieder in den Crock-Pot® Slow Cooker geben und mit der Soße übergießen.
4. BBQ Pulled Pork auf Hamburgerbrötchen oder knusprigen Brötchen servieren.

BOEUF BOURGUIGNON/RINDERBRATEN BURGUNDER ART 3-4 Portionen

Mehl

Meersalz und Pfeffer

700g Rindernacken in ca. 2,5 cm große Würfel schneiden

1½ große Karotten, geschält und in Scheiben

½ mittlere Zwiebel, in Scheiben

3 Scheiben Frühstücksspeck, in 2,5 cm große Stücke schneiden

150ml Fleischbrühe

240ml roter Burgunderwein

7-8g Tomatenpaste

1 Knoblauchzehen, zerdrückt

1½ Zweiglein frischen Thymian, entstielt

1 Lorbeerblatt

225g frische Pilze, in Scheibchen geschnitten

1. Das Fleisch mit dem Mehl, Salz und Pfeffer einreiben. Fleisch in einer Pfanne auf dem Herd erst anbraten (optional).
2. Fleisch in den Crock-Pot® Slow Cooker geben und die übrigen Zutaten.
3. Zudecken und 8 – 10 Stunden lang auf LOW (NIEDRIG) oder 6 Stunden lang auf HIGH (HOCH) kochen oder solange bis das Fleisch zart ist.

GEBRATENES HUHN MIT ZITRONENSAFT UND KRÄUTERN 4-6 Portionen

1.5kg Brathuhn

1 kleine Zwiebel, gehackt

Butter

Saft von einer Zitrone

2.5g Meersalz

15g frisch gehackte Petersilie

5g getrockneter Thymian

5g Paprika

100ml Wasser oder Brühe

1. Zwiebeln in den Hühnchenbauch geben und die Haut mit der Butter einreiben. Hühnchen in den Crock-Pot® Slow Cooker geben.
2. Zitronensaft über das Hühnchen träufeln und mit den übrigen Gewürzen bestreuen. Zudecken und 8 – 10 Stunden lang auf LOW (NIEDRIG) oder 4 Stunden lang auf HIGH (HOCH) kochen.

HÜHNCHEN CACCIATORE/HÜHNCHEN NACH JÄGERART 2-4 Portionen

1–1½ Zwiebeln, in dünne Scheibchen geschnitten

500g Hühnchen (Brust oder Hühnchenschenkel), enthäutet

200g Dose Eiertomaten, gehackt

2 Knoblauchzehen, zerdrückt

200ml trockener Weißwein oder Brühe

15g Kapern

10 entsteinte Kalamata-Oliven, grob gehackt

½ Bund glattblättrige Petersilie oder Basilikum, entstielt und grob gehackt

Meersalz und Pfeffer

Abgekochte Pasta

1. Geschnittene Zwiebeln in den Crock-Pot® Slow Cooker geben und mit den Hühnchenteilen bedecken.
2. In einer Schüssel die Tomaten, Salz, Pfeffer, Knoblauch und Weißwein verrühren. Über das Hühnchen gießen.
3. Zudecken und 6 Stunden lang auf LOW (NIEDRIG) oder 4 Stunden lang auf HIGH (HOCH) kochen oder solange bis

das Fleisch zart ist.

4. Kapern, Oliven und frische Kräuter kurz vor dem Servieren daruntermischen.
5. Über abgekochter Pasta servieren.

Hinweis: Hähnchen mit Knochen dauern ca. 30 Minuten bis eine Stunde länger bis sie gar sind, im Gegensatz zu entbeintem Hähnchen.

CHILLI 3–4 Portionen

1 große Zwiebel, gehackt
2-3 Knoblauchzehen, zerdrückt
1 grüne Paprikaschote, gehackt
500g Rinderhack, gekocht und abgetropft
400g rote Bohnen, abgespült und abgetropft
200g Dose gewürfelte Tomaten
1 Jalapeño, entkernt und fein gehackt
7-8g Tomatenpüree
2.5g Cayenne-Pfeffer
100ml Fleischbrühe

1. Alle Zutaten in den Crock-Pot® Slow Cooker geben.
2. Zudecken und 8 - 9 Stunden lang auf LOW (NIEDRIG) oder 4 Stunden lang auf HIGH (HOCH) kochen.

SCHMORBRATEN 3–5 Portionen

800g - 1kg Rinderschmorbraten
1½ Zwiebeln, in Scheiben
Mehl
1 Selleriestange, in Scheibchen
Meersalz und Pfeffer
120g frische Pilze, in Scheibchen geschnitten
1½ Karotten, in Scheiben
120ml Fleischbrühe oder Wein
1½ Kartoffeln, geviertelt

1. Den Braten mit einer halben Tasse Mehl, Salz und Pfeffer einreiben. Braten in einer Pfanne auf dem Herd erst anbraten (optional).
2. Das gesamte Gemüse in den Crock-Pot® Slow Cooker geben, außer den Pilzen. Braten hinzufügen und die Pilze obendrauf verteilen. Flüssigkeit darüber gießen.
3. Zudecken und 10 Stunden lang auf LOW (NIEDRIG) oder 6 Stunden lang auf HIGH (HOCH) kochen oder solange bis das Fleisch zart ist.

RINDFLEISCHTOPF/RINDSGULASCH 3–4 Portionen

500 - 600g Rindsgulaschfleisch, in ca. 2,5 cm große Würfel schneiden
Mehl
Meersalz und Pfeffer
350ml Fleischbrühe
7.5ml Worcestershire-Soße
1½ Knoblauchzehen, zerdrückt
1 Lorbeerblatt
3 kleine Kartoffeln, geviertelt
1-1½ Zwiebeln, gehackt
1½ Selleriestangen, in Scheibchen

1. Mehl, Salz und Pfeffer vermischen und das Fleisch damit bestäuben. Fleisch in den Crock-Pot® Slow Cooker geben.
2. Übrige Zutaten hinzufügen und gut umrühren.
3. Zudecken und 8 – 10 Stunden lang auf LOW (NIEDRIG) oder 6 Stunden lang auf HIGH (HOCH) kochen oder solange

bis das Fleisch zart ist. Vor dem Servieren gründlich umrühren.

EINFACHES, GESUNDES FISCHFILET 2-3 Portionen

Meersalz und Pfeffer

500 g Weißfisch

Entstielte frische Kräuter (glattblättrige Petersilie, Basilikum, Estragon, Bohnenkraut oder eine Kombination davon)

1-1½ Zitronen, in dünne Scheiben geschnitten

Fertige Salsa oder Oliventapenade zum Garnieren

1. Beide Seiten des Fisches salzen und pfeffern und in den Crock-Pot® Slow Cooker geben. Oben auf den Fisch die Kräuter und Zitronenscheiben geben und einige unter den Fisch legen.
2. Zudecken und ca. 30 - 40 Minuten lang auf HOCH kochen oder solange bis der Fisch nicht mehr transluzent/glasig ist. Die Kochdauer hängt von der Dicke des Fisches ab.
3. Zitronenscheiben entfernen und mit Salsa oder Tapenade verzieren.

GARANTIE

Bewahren Sie bitte unbedingt den Kaufbeleg

auf. Dieser ist für die Geltendmachung von Garantieansprüchen zwingend erforderlich.

Die in diesem Dokument beschriebene Gerätegarantie gilt für einen Zeitraum von 2 Jahren ab Kaufdatum.

Sollte das Gerät entgegen allen Erwartungen innerhalb dieses Zeitraums aufgrund eines Konzeptions- oder Herstellungsfehlers nicht mehr einwandfrei funktionieren, können Sie es zusammen mit dem Kaufbeleg und einer Kopie dieses Garantiebelegs am Kaufort abgeben.

Die aus dieser Garantie erwachsenden Ansprüche und Leistungen sind als Ergänzung zu Ihren gesetzlichen Ansprüchen anzusehen. Diese werden von dieser Garantie nicht beeinträchtigt. Diese Bedingungen können ausschließlich durch Jarden Consumer Solutions (Europe) Limited ("JCS (Europe)") geändert werden.

JCS (Europe) verpflichtet sich innerhalb der Garantiedauer zur kostenlosen Reparatur oder zum kostenlosen Austausch des Geräts bzw. von Geräteteilen, die nachweislich nicht ordnungsgemäß funktionieren. Es gelten jedoch folgende Voraussetzungen:

- Sie müssen den Händler oder JCS (Europe) unverzüglich über das Problem informieren.
- An dem Gerät wurden keinerlei Änderungen vorgenommen, es wurde nur bestimmungsgemäß eingesetzt, nicht beschädigt und nicht von Personen repariert, die von JCS (Europe) nicht autorisiert wurden.

Mängel, die auf unsachgemäße Nutzung, Beschädigung, nicht zugelassene elektrische Spannung, Naturgewalten, Ereignisse außerhalb der Kontrolle durch JCS (Europe), Reparaturen oder Änderungen durch Personen, die von JCS (Europe) nicht autorisiert wurden, oder Nichtbeachtung der Nutzungsanweisungen zurückzuführen sind, werden von dieser Garantie nicht abgedeckt. Außerdem sind durch normale Gebrauchsabnutzung entstandene Mängel, wie beispielsweise geringfügige Verfärbungen und Kratzer, von dieser Garantie ausgenommen.

Die im Rahmen dieser Garantie eingeräumten Rechte gelten ausschließlich für den ursprünglichen Käufer und dürfen nicht auf die kommerzielle oder kommunale Nutzung ausgedehnt werden.

Dieses Kennzeichen bedeutet, dass das Produkt nicht im Hausmüll entsorgt werden darf, es muss in der gesamten EU als Sondermüll entsorgt werden. Um mögliche Umweltschäden zu vermeiden und wegen der die Umwelt gefährdenden Substanzen im Produkt, darf dieses Gerät nur gemäß der geltenden Recycling-Vorschriften entsorgt werden. Wenn Sie das Gerät zurückgeben möchten, nutzen Sie bitte das Recycling-System Ihres Händlers. Der Händler wird das Produkt gemäß den Umweltschutzvorschriften entsorgen.

Jarden Consumer Solutions (Europe) Limited

5400 Lakeside

Cheadle Royal Business Park

Cheadle

SK8 3GQ

UK



ESPAÑOL

INSTRUCCIONES IMPORTANTES DE SEGURIDAD

LÉALAS DETENIDAMENTE Y CONSÉRVELAS PARA CONSULTARLAS EN EL FUTURO.

Este aparato puede ser utilizado por niños a partir de 8 años de edad y por personas con disminución de capacidades físicas, sensoriales o mentales o sin experiencia ni conocimientos si reciben supervisión o instrucciones relativas al uso seguro del aparato y comprenden los riesgos que implica. Los niños no deben jugar con el aparato. Los niños no deben realizar la limpieza ni el mantenimiento sin supervisión.

Si el cable de alimentación está dañado, deberá ser sustituido por el fabricante, su agente de servicio técnico o personas que cuenten con una cualificación equivalente para evitar posibles riesgos.

- ⚠ Deje espacio suficiente por encima y por todos los lados para permitir la circulación de aire. No permita que el aparato toque ningún material inflamable durante su uso (como cortinas o papel pintado de pared) No lo utilice debajo de un armario de pared.
- ⚠ Asegúrese de que el aparato está apagado y desconectado de la toma eléctrica después de usarlo y antes de limpiarlo.
- ⚠ Deje siempre que el aparato se enfríe antes de limpiarlo o guardarlo.
- ⚠ Extreme la precaución al trasladar el aparato si este contiene alimentos y líquidos calientes.
- ⚠ Evite los cambios bruscos de temperatura, como la adición de alimentos refrigerados a un contenedor caliente.
- ⚠ No utilice el aparato si este se ha caído al suelo o presenta signos visibles de daños o goteo.
- ⚠ No utilice nunca el aparato para ningún fin distinto de aquel para el que ha sido diseñado. Este aparato es para uso doméstico exclusivamente. No utilice este aparato al aire libre.
- ⚠ No toque las superficies externas del aparato durante su uso, ya que pueden estar muy calientes. Utilice guantes o un paño al retirar la tapa. Tenga cuidado con el vapor que sale al retirar la tapa.
- ⚠ Nunca permita que el cable de alimentación quede colgando del borde de una superficie de trabajo, que entre en contacto con superficies calientes, que presente nudos o que quede atrapado.
- ⚠ Este aparato no debe colocarse sobre superficies que puedan estar calientes (como una cocina eléctrica o de gas) ni en las proximidades de estas.
- ⚠ No toque las superficies externas del aparato durante su uso, ya que pueden estar muy calientes. Utilice guantes o un paño al retirar la tapa. Tenga cuidado con el vapor que sale al retirar la tapa.
- ⚠ No utilice nunca el aparato vacío o sin tapa, o bien si la tapa está agrietada o dañada.
- ⚠ No coloque la olla cerámica sobre superficies que puedan resultar dañadas por el calor. Coloque siempre la olla sobre un salvamanteles o una superficie aislante.
- ⚠ Tenga cuidado al colocar la olla directamente sobre superficies delicadas o pulidas, dado que la base de la olla no está vidriada y puede provocar arañazos u otras marcas. Recomendamos colocar una superficie protectora debajo de la olla para proteger este tipo de superficies.

NO UTILICE NUNCA EL APARATO PARA NINGÚN FIN DISTINTO DE AQUEL PARA EL QUE HA SIDO DISEÑADO. ESTE APARATO ES PARA USO DOMÉSTICO EXCLUSIVAMENTE.

ANTES DE USARLO POR PRIMERA VEZ

Antes de utilizar la olla de cocción lenta, retire todo el embalaje, lave la tapa y la olla cerámica con agua caliente y jabonosa y séquelas a conciencia.

NOTAS IMPORTANTES: Algunas superficies de encimeras y mesas no están diseñadas para soportar el calor prolongado que generan determinados aparatos. No coloque la unidad caliente sobre una mesa con acabado de madera. Recomendamos colocar un material aislante del calor o un salvamanteles debajo de la olla de cocción lenta para evitar posibles daños a la superficie.

Tenga cuidado al colocar la olla cerámica sobre una cocina vitrocerámica, una encimera, una mesa u otra superficie cerámica o delicada. Debido a la naturaleza de la cerámica, la superficie no pulida de la base puede arañar otras superficies si no se tiene precaución. Coloque siempre material protector debajo de la olla cerámica antes de colocarla en una mesa o encimera.

DESCRIPCIONES

A	Tapa de cristal	F	Pantalla de ajuste del tiempo
B	Olla cerámica	G	Botón de selección de la temperatura
C	Base de calentamiento	H	Botones para subir/bajar el temporizador
D	Panel de control	I	Botón de espera
E	Asa de transporte	J	Cable de alimentación (no se muestra)

UTILIZACIÓN

- Coloque la olla cerámica en la base de calentamiento, añada los ingredientes a la olla cerámica y cúbrala con la tapa. Conecte la olla de cocción lenta Crock-Pot®.
- Seleccione el valor de temperatura empleando el botón de selección de temperatura (**G**). Se encenderá la luz de temperatura alta (SS) o luz de temperatura baja (S).
NOTA: El ajuste MANTENER CALIENTE, (SS), es EXCLUSIVAMENTE para alimentos que ya se han cocinado con calor. NO cocine con el ajuste CALIENTE. No recomendamos utilizar el ajuste CALIENTE durante más de 4 horas.
- Pulse los botones para subir/bajar el temporizador (**H**) para seleccionar el tiempo de cocción. El tiempo puede ajustarse en incrementos de 30 minutos, con un tope máximo de 20 horas. Seleccione el tiempo en función de la duración indicada en la receta. El tiempo comenzará a contar hacia atrás en incrementos de un minuto.
- Cuando haya terminado la cocción, la olla de cocción lenta cambiará automáticamente al ajuste MANTENER CALIENTE y se encenderá la luz de mantener caliente (SS).
- Para parar la cocción, pulse el botón standby (**I**). Siga los pasos 2 y 3 anteriores para reactivar la cocción. Para apagar la olla de cocción lenta, desenchúfela de la toma eléctrica.

NOTAS:

- Si se ha interrumpido la alimentación eléctrica (si se ha producido un corte de corriente), la pantalla y las luces parpadearán cuando se restablezca la alimentación. En ese caso, se habrán perdido todos los ajustes de la olla de cocción lenta. Como resultado, podría no ser seguro consumir los alimentos. Si no sabe el tiempo que ha podido estar apagado el aparato, le sugerimos que deseche los alimentos de su interior.
- Si lo desea, puede cambiar manualmente al ajuste MANTENER CALIENTE cuando haya terminado de cocinar la receta.
- Para evitar que los alimentos queden sin cocinar por completo, llene siempre la olla cerámica entre $\frac{1}{2}$ y $\frac{3}{4}$ de su capacidad total y cumpla los tiempos de cocción recomendados.
- No llene en exceso la olla cerámica. Para evitar que se derrame el contenido, no llene la olla cerámica por encima de $\frac{3}{4}$ de su capacidad total.
- Cocine siempre con la tapa puesta y durante el tiempo recomendado. No retire la tapa durante las primeras dos horas de cocción para permitir que se acumule el calor de forma eficiente.
- Utilice guantes siempre que tenga que manipular la tapa o la olla cerámica.

- Desenchufe cuando la cocción haya terminado y antes de realizar la limpieza.
- La olla cerámica extraíble es apta para horno. No utilice la olla cerámica extraíble con una cocina de gas, eléctrica o debajo de un grill.

LIMPIEZA

- Desenchufe SIEMPRE la olla de cocción lenta de la toma eléctrica y déjela enfriar antes de limpiarla.
- La tapa y la olla cerámica pueden lavarse en el lavavajillas o con agua caliente y jabonosa. No utilice agentes limpiadores abrasivos ni estropajos. Para quitar los residuos, normalmente basta con un paño, una esponja o una espátula de goma. Para quitar manchas de agua u otras manchas, utilice un agente de limpieza no abrasivo o vinagre.
- Al igual que sucede con cualquier cerámica fina, la olla cerámica y la tapa no soportan los cambios bruscos de temperatura. No lave la olla cerámica ni la tapa con agua fría si están calientes.
- La parte externa de la base de calentamiento puede limpiarse con un paño suave y agua caliente y jabonosa. Pásele un paño para secarla. No utilice agentes de limpieza abrasivos.
- PRECAUCIÓN: NO sumerja la base de calentamiento en agua ni en ningún otro líquido.
- No podrá realizar ninguna otra operación de mantenimiento.

NOTA: Tras limpiarla a mano, deje que la olla cerámica se seque sola antes de almacenarla.

ASESORAMIENTO

PASTA Y ARROZ:

- Si la receta requiere la adición de fideos, macarrones, etc., cocínelos en una cocina convencional hasta que estén tiernos y añádalos a la olla de cocción lenta durante los últimos 30 minutos de cocción. Para utilizar arroz, remuévalo con los otros ingredientes y añada un ¼ de taza de líquido extra por cada ¼ de taza de arroz. El arroz largo es el que ofrece el mejor resultado.

JUDÍAS:

- Las judías deben ablandarse por completo antes de mezclarse con azúcar y/o alimentos ácidos. El azúcar y el ácido tienen un efecto endurecedor en las judías que impide que se ablanden.
- Las judías secas, especialmente las pintas, deben cocerse antes de añadirse a la receta.
- Pueden utilizarse judías de lata ya cocinadas en lugar de judías secas.

VERDURAS:

- Muchas verduras dan muy buen resultado con la cocción lenta, dado que les permite desarrollar todo su sabor. En la olla de cocción lenta tienden a no cocinarse en exceso, al contrario de lo que sucede en el horno o en una cocina normal.
- Al preparar recetas con verduras con carne, coloque las verduras en la olla de cocción lenta antes que la carne. Las verduras normalmente se cocinan más lentamente que la carne en la olla de cocción lenta.
- Coloque las verduras cerca de los lados o de la parte inferior de la olla de cocción rápida para facilitar su cocción.

HIERBAS Y ESPECIAS:

- Las hierbas frescas añaden sabor y color, pero deben añadirse al final del ciclo de cocción, dado que su sabor se disipa con un tiempo de cocción largo.
- Las hierbas y especias molidas y/o secas van bien con la cocción lenta y pueden añadirse desde el principio.
- La intensidad del sabor de las hierbas y especias puede variar mucho en función de su potencia y duración. Utilice hierbas en pequeñas cantidades, pruebe los alimentos preparados al final del ciclo de cocción y corrija el sabor justo antes de servirlos.

LECHE:

- La leche, la nata y la crema agria se cortan al cocinarse durante periodos de tiempo largos. En la medida de lo posible, añádalos durante los últimos 15 a 30 minutos de cocción.
- Pueden utilizarse sopas condensadas en lugar de leche, ya que pueden cocinarse durante periodos más largos.

SOPAS:

- Algunas recetas requieren gran cantidad de agua. Añada los ingredientes de la sopa a la olla de cocción lenta en primer lugar y luego añada el agua solo hasta cubrir los ingredientes. Si se desea una sopa más líquida, añada más líquido al servirla.

CARNES:

- Quite la grasa, enjuague y seque la carne con toallas de papel.
- Al pasar la carne en una sartén o parrilla independiente, se consigue drenar la grasa antes de cocinar la carne lentamente, al tiempo que aporta un sabor más intenso.
- La carne debe colocarse de manera que quede en la olla cerámica sin tocar la tapa.
- En el caso de cortes de carne pequeños o grandes, modifique la cantidad de verduras o patatas para que la olla cerámica quede siempre entre la $\frac{1}{2}$ y $\frac{3}{4}$ de su capacidad total.
- El tamaño de la carne y los tiempos de cocción recomendados son solo estimaciones y pueden variar en función del corte específico, el tipo y la estructura del hueso. Las carnes magras, como el pollo o el solomillo de cerdo, se cocinan más rápido que las carnes con más tejido conectivo y grasa, como el morcillo de ternera o la paletilla de cerdo. Al cocinar la carne con hueso en lugar de sin hueso aumenta el tiempo de cocción.
- Corte la carne en trozos pequeños al cocinarla con alimentos precocinados como judías o fruta, o vegetales ligeros como champiñones, cebolla en dados, berenjena o verduras picadas. Esto permite que todos los alimentos se cocinen a la vez.
- Al cocinar carnes congeladas, debe añadirse primero al menos 1 taza de líquido caliente. El líquido actuará como "colchón" para evitar cambios bruscos de temperatura. Normalmente se necesitan 4 horas más a temperatura BAJA o 2 horas más a temperatura ALTA. En el caso de carnes con cortes más gruesos o congeladas, esta puede tardar mucho más en descongelarse y quedar tierna.

PESCADO:

- El pescado se cocina rápido, por lo que debe añadirse al final del ciclo, entre los últimos 15 minutos y la hora antes de que se complete el tiempo de cocción.

LÍQUIDO:

- Para obtener un resultado óptimo y evitar que la comida se seque o se queme, utilice siempre una cantidad adecuada de líquido en la receta.
- Aunque puede que parezca que nuestras recetas llevan una cantidad pequeña de líquido, el proceso de cocción lenta difiere de otros métodos de cocina en que el líquido añadido a la receta casi se duplica durante el tiempo de cocción. Por ello, si adapta un receta para olla de cocción lenta, reduzca la cantidad de líquido antes de cocinar.

RECETAS

COSTILLAS DE CERDO para 3–5 personas

2–3 costillares de cerdo cortados en 3–4 trozos

600 ml de salsa barbacoa

1-1½ cebollas troceadas

1. Coloque las costillas en la olla de cocción lenta Crock-Pot®. Cúbralas con cebolla y salsa barbacoa.
2. Tápelas y cocinelas a temperatura Baja durante 7-9 horas o a temperatura Alta durante 4-5 horas, o bien hasta que la carne esté tierna.
3. Para servir las, corte las costillas entre los huesos y cúbralas con más salsa si lo desea.

CERDO DESMIGADO A LA BARBACOA para 3–4 personas

1 kg de lomo de cerdo sin grasa

600 mililitros de salsa barbacoa

1–1½ cebollas picadas

3-4 panes de hamburguesa o panes blandos.

1. Coloque el lomo de cerdo en la olla de cocción lenta Crock-Pot®. Cúbralo con cebolla y salsa barbacoa.
2. Tape y cocine a temperatura Baja durante 7-9 horas o a temperatura Alta durante 4-5 horas, o bien hasta que la carne esté tierna.
3. Saque el cerdo de la olla de cocción lenta Crock-Pot® y desmíguelo con un tenedor. Vuelva a colocar el cerdo en la olla de cocción lenta Crock-Pot® y cúbralo con salsa.
4. Sirva el cerdo desmigado a la barbacoa en pan de hamburguesa o pan blando.

TERNERA BOURGUIGNON para 3–4 personas

Harina

Sal marina y pimienta

700 g de carne para estofar cortada en dados de 2,5 centímetros

1½ zanahorias grandes peladas y cordadas en rodajas

½ cebolla mediana en rodajas

3 lonchas de beicon cocinado cortado en trozos de 2,5 cm

150 ml de caldo de ternera

240 ml de vino tinto o borgoña

7-8 g de puré de tomate

1 diente de ajo troceado

1½ ramitas de tomillo fresco sin el tronco

1 hoja de laurel

225 g de champiñones frescos troceados

1. Reboce la ternera en harina condimentada con sal y pimienta. Selle la ternera en una sartén en la cocina normal (opcional).
2. Coloque la carne en la olla de cocción lenta Crock-Pot® y añada el resto de ingredientes.
3. Tape y cocine a temperatura Baja durante 8-10 horas o a temperatura Alta durante 6 horas, o bien hasta que la carne esté tierna.

POLLO ASADO AL LIMÓN Y HIERBAS para 4–6 personas

Un pollo para asar de 1,5 kg

1 cebolla pequeña

Mantequilla

El zumo de un limón

2,5 g de sal marina

15 g de perejil fresco

5 g de tomillo seco

Una pizca de pimentón

100 ml de agua o caldo

1. Coloque la cebolla en el interior del pollo y unte la piel con mantequilla. Coloque el pollo en
2. la olla de cocción lenta Crock-Pot®.
3. Exprima un limón sobre el pollo y esparza sobre él el resto de condimentos. Añada el agua/caldo y luego tape y cocine a temperatura Baja durante 8–10 o a temperatura Alta durante 4 horas.

POLLO CACCIATORE para 2–4 personas

1–1½ cebollas en rodajas finas

500 g de pollo (pechugas o muslos) sin piel

200 g de tomates pera troceados

2 dientes de ajo troceados

200 ml de vino blanco o caldo

15 g de alcapparras

10 aceitunas Kalamata sin hueso en trozos grandes

Un puñado de perejil o albahaca frescos, sin tallos y sin picar demasiado

Sal marina y pimienta

Pasta cocinada

1. Coloque la cebolla en rodajas en la olla de cocción lenta Crock-Pot® y cúbrala con el pollo.
2. Coloque en un cuenco el tomate, la sal, la pimienta, el ajo y el vino blanco y remuévalos bien. Viértalo sobre el pollo.
3. Tape y cocine a temperatura Baja durante 6 horas o a temperatura Alta durante 4 horas, o bien hasta que el pollo esté tierno.
4. Añada y remueva las alcaparras, las aceitunas y las hierbas justo antes de servir.
5. Sirvalo sobre pasta cocinada.
6. Nota: Cocinar pollo con hueso en lugar de sin hueso aumenta el tiempo de cocción aproximadamente entre 30 minutos y una hora.

CHILI para 3–4 personas

1 cebolla grande picada
2-3 dientes de ajo picados
1 pimiento verde picado
500 g de ternera picada
400 g de judías pintas de lata escurridas
200 g de tomate picado de lata
1 pimiento chile (opcional) sin semillas y picado
7-8 g de puré de tomate
2,5 g de pimienta cayena
100 ml de caldo de ternera

1. Añada todos los ingredientes a la olla de cocción lenta Crock-Pot®.
2. Tape y cocine a temperatura Baja durante 8-9 horas o a temperatura Alta durante 4 horas.

POT ROAST para 3–5 personas

800 g - 1 kg de paleta de ternera
1½ cebollas en rodajas
Harina
1 tallo de apio troceado
Sal marina y pimienta
120 g de champiñones troceados
1½ zanahorias troceadas
120 ml de caldo de ternera o vino
1½ patatas peladas y cortadas en cuatro trozos

1. Reboce la ternera en harina condimentada con sal y pimienta. Selle la carne en una sartén en la cocina normal (opcional).
2. Coloque las verduras, salvo los champiñones, en la olla de cocción lenta Crock-Pot®. Añada la carne y esparza por encima los champiñones. Vierta el líquido.
3. Tape y cocine a temperatura Baja durante 10 horas o a temperatura Alta durante 6 horas, o bien hasta que esté tierna la carne.

ESTOFADO DE TERNERA para 3–4 personas

500 - 600 g de paleta de ternera cortada en dados
Harina
Sal marina y pimienta
350 ml de caldo de ternera
7,5 ml de salsa Worcestershire
1½ dientes de ajo picados
1 hoja de laurel
3 tomates pequeños pelados y cortados en cuatro trozos
1-1½ cebollas picadas
1½ tallo de apio troceado

1. Espolvoree la harina, la sal y la pimienta sobre la carne. Coloque la carne en la olla de cocción lenta Crock-Pot®.
2. Añada el resto de ingredientes y remueva bien.
3. Tape y cocine a temperatura Baja durante 8-10 horas o a temperatura Alta durante 6 horas, o bien hasta que la carne esté tierna. Remueva bien antes de servir.

FILETE DE PESCADO SANO Y SENCILLO para 2-3 personas

500 g de pescado blanco (bacalao, lubina, etc.) sin piel

Hierbas frescas (perejil, albahaca, estragón, etc.)

1-1½ limones en rodajas finas

Salsa preparada o tapenade de aceitunas como guarnición

1. Salpimente el pescado por ambos lados y colóquelo en la olla de cocción lenta Crock-Pot®. Cubra la parte superior del pescado con hierbas y rodajas de limón y ponga también algunas por debajo de este.
2. Tape y cocine a temperatura Alta durante aproximadamente 30-40 minutos, o bien hasta que deje de estar translúcido. Los tiempos de cocción dependen del grosor del pescado.
3. Retire las rodajas de limón y cubra con salsa o tapenade.

GARANTÍA

Guarde su recibo de compra, recibo ya que lo necesitará para cualquier reclamación dentro de esta garantía.

Este producto tiene una garantía de 2 años desde la fecha de compra tal como se describe en este documento.

Durante este período de garantía, en el improbable caso de que el aparato ya no funcione debido a un fallo de diseño o fabricación, devuélvalo al lugar donde lo compró con su su recibo de compra y una copia de esta garantía.

Los derechos y ventajas de esta garantía son adicionales a sus derechos estatutarios, que no se verán afectados por esta garantía. Sólo Jarden Consumer Solutions (Europe) Limited ("JCS (Europe)") tiene derecho a cambiar estos términos.

JCS (Europe) se compromete, durante el período

de garantía, a reparar o cambiar el aparato, o cualquier parte del aparato que no funcione correctamente, de manera gratuita siempre que:

- Informe inmediatamente al establecimiento de compra o a JCS (Europe) del problema; y
- No se haya modificado el aparato de ninguna forma ni se haya sometido a daños, uso indebido, mal uso o reparación por cualquier otra persona no autorizada por JCS (Europe).

Los fallos que se produzcan por uso indebido, daños, mal uso, uso con un voltaje incorrecto, desastres naturales, acontecimientos que escapan al control de JCS (Europe), reparaciones o modificaciones realizadas por una persona no autorizada por JCS (Europe) o por no seguir las instrucciones de uso no están cubiertas por esta garantía. Además, el desgaste o deterioro debidos al uso normal, incluidos, sin limitación, los arañazos y las pequeñas decoloraciones no están cubiertos por esta garantía.

Los derechos de esta garantía sólo se aplicarán al comprador original y no se cubrirán el uso comercial o comunitario.

Si el aparato incluye una garantía específica de algún país, consulte los términos y condiciones de dicha garantía en sustitución de la presente garantía, o póngase en contacto con el comerciante autorizado de su localidad para obtener más información.

Esta marca indica que este producto no debe eliminarse con otros residuos domésticos sino que debe hacerse por separado en toda la UE. Para prevenir posibles daños al medio ambiente o a los seres humanos a partir de la eliminación de residuos no controlada debido a la presencia de sustancias peligrosas en este producto, debe reciclarlo de modo responsable para promover la reutilización sostenible de materiales y recursos. Para devolver su dispositivo usado, por favor utilice los sistemas de devolución y recolección disponibles o comuníquese con el comercio donde compró el producto. Ellos pueden tomar este producto para su respectivo reciclado de modo seguro y responsable con el medio ambiente.



Jarden Consumer Solutions (Europe) Limited

5400 Lakeside

Cheadle Royal Business Park

Cheadle

SK8 3GQ

Reino Unido

PORTUGUÊS

INSTRUÇÕES DE SEGURANÇA IMPORTANTES

LEIA COM ATENÇÃO E GUARDE-AS PARA REFERÊNCIA FUTURA.

Este aparelho pode ser utilizado por crianças com mais de 8 anos e pessoas com capacidades físicas, sensoriais ou mentais reduzidas ou falta de experiência e conhecimento, se forem supervisionadas ou receberem instruções relacionadas com a utilização do aparelho numa área segura e compreenderem os riscos envolvidos. As crianças não devem brincar com o aparelho. A limpeza e manutenção de utilização não deve ser feita por crianças sem supervisão.

Se o cabo de alimentação estiver danificado, deve ser substituído pelo fabricante, o respetivo agente de assistência ou pessoas semelhantes qualificadas, a fim de evitar acidentes.

- ⚠ Deixar espaço suficiente por cima e nas laterais para circulação de ar. Não deixe que o utensílio toque em material inflamável durante a utilização (como cortinados ou papel de parede). Não utilize por baixo de um armário de parede.
- ⚠ Certifique-se de que o aparelho está desligado e a ficha desligada da tomada elétrica antes de o limpar.
- ⚠ Deixe sempre que o aparelho arrefeça antes de limpar ou arrumar.
- ⚠ Tenha muito cuidado quando mover o aparelho quando este contém comida ou líquidos quentes.
- ⚠ Evite mudanças de temperatura repentinas, tal como adicionar comidas refrigeradas numa panela quente.
- ⚠ Não utilize o aparelho, caso ele tenha caído ou se tiver sinais visíveis de danos ou de derrame.
- ⚠ Nunca utilize este aparelho com outro objetivo que não aquele para o qual foi criado. Este aparelho serve apenas para utilização doméstica. Não utilize este aparelho em espaços exteriores.
- ⚠ Nunca submerja qualquer parte do utensílio ou cabo e ficha de alimentação em água ou qualquer outro líquido.
- ⚠ Nunca permita que o cabo de alimentação fique pendurado na extremidade do balcão, em contacto com superfícies quentes ou que fique enlaçado, preso ou entalado.
- ⚠ Este utensílio não deve ser colocado sobre ou junto a qualquer potencial fonte de calor (como fornos a gás ou elétricos).
- ⚠ Não toque nas superfícies externas do aparelho durante a utilização, uma vez que estas podem ficar bastante quentes. Utilize luvas de forno ou um pano quando mexer na tampa. Tenha atenção o vapor expelido ao retirar a tampa.
- ⚠ Nunca use o aparelho se este estiver vazio ou sem a tampa encaixada, ou se a tampa estiver rachada ou danificada.
- ⚠ Não coloque a panela de cozedura em grés em qualquer superfícies afetada pelo calor. Coloque sempre a panela num tripé ou base.
- ⚠ Tenha cuidado quando colocar a panela diretamente em superfícies delicadas ou polidas, uma vez que a base desta panela não é vidrada e pode causar riscos ou outras marcas. Recomendamos que coloque uma base de proteção por baixo da panela para proteger estes tipos de superfícies.

NUNCA UTILIZE ESTE APARELHO COM OUTRO OBJETIVO QUE NÃO AQUELE PARA O QUAL FOI CRIADO. ESTE APARELHO SERVE APENAS PARA UTILIZAÇÃO DOMÉSTICA.

ANTES DA PRIMEIRA UTILIZAÇÃO

Antes de utilizar a panela de preparação lenta, retire todos os componentes de embalagem e lave a tampa e grés com água quente e detergente e seque bem.

INDICAÇÕES IMPORTANTES: Algumas superfícies de bancadas e mesas não estão preparadas para suportar o calor prolongado gerado por determinados aparelhos. Não coloque a unidade aquecida sobre uma mesa de madeira com acabamento. Recomendamos colocar uma base ou uma grelha por baixo da panela de preparação lenta para evitar possíveis danos na superfície.

Tenha cuidado quando colocar o grés num forno, bancada, mesa ou outra superfície de vidro suave ou cerâmica. Devido à natureza do grés, a superfície inferior rija poderá riscar algumas superfícies se não for tido cuidado. Coloque sempre a proteção por baixo da panela em grés antes de a colocar numa mesa ou bancada.

DESCRIÇÕES

- | | |
|------------------------------|--|
| A Tampa de vidro | F Ecrã de definição de hora |
| B Grés | G Botão de seleção de temperatura |
| C Base de aquecimento | H Botões de aumento/diminuição de tempo |
| D Painel de controlo | I Botã espera |
| E Pega de transporte | J Cabo de alimentação (não apresentado) |

COMO UTILIZAR

1. Coloque o grés na base de aquecimento, adicione os seus ingredientes ao grés e tape com a tampa. Ligue o cabo da sua panela de preparação lenta Crock-Pot®.
2. Selecione a definição de temperatura utilizando o botão de seleção de temperatura (**G**). A luz de temperatura elevada (☀) ou luz de temperatura baixa (☁) irá acender-se.
NOTA: A definição KEEP WARM (manter quente) (☁) serve APENAS para manter quente a comida que já foi cozinhada. NÃO cozinhe na definição WARM (quente). Não recomendamos utilizar a definição WARM (quente) por mais de 4 horas.
3. Prima os botões diminuir/aumentar tempo (**H**) para selecionar o tempo de cozedura. O tempo pode ser definido em incrementos de 30 minutos até 20 horas. Selecione a hora com base na duração indicada na receita. O tempo irá começar em contagem decrescente em incrementos de um minuto.
4. Quando a cozedura estiver terminada, a sua panela de preparação lenta irá mudar automaticamente para a definição KEEP WARM (manter quente) e a luz de manter quente (☁) irá acender-se.
5. Para parar de cozinhar, prima o botão de standby (**I**). Siga os passos 2 e 3 acima para voltar a cozinhar. Para desligar a sua panela de preparação lenta, retire a ficha da tomada.

NOTA:

- Se a alimentação elétrica tiver sido interrompida (energia cortada), o ecrã e as luzes irão piscar quando a alimentação for restaurada. Todas as definições de preparação lenta ter-se-ão perdido. Como resultado, poderá não ser seguro ingerir a comida. Se não tiver noção de quanto tempo a alimentação esteve desligada, sugerimos que deite fora a comida.
- Se desejar, pode mudar manualmente para a definição KEEP WARM (manter quente) quando a sua receita tiver acabado de ser preparada.
- Para evitar cozinhar demais ou de menos a comida, encha sempre o grés entre $\frac{1}{2}$ e $\frac{3}{4}$ e de acordo com os tempos de cozedura recomendados.
- Não encha demasiado o grés. Para evitar que deite fora, não encha o grés acima de $\frac{3}{4}$.
- Cozinhe sempre com a tampa posta durante o tempo recomendado. Não remova a tampa durante as primeiras duas horas de cozedura para permitir que o calor se acumule de forma eficiente.
- Utilize sempre luvas quando mexer na tampa ou grés.
- Desligue o aparelho da eletricidade quando acabar a cozedura e antes de limpar.
- O grés amovível é seguro para utilização em forno. Não utilize o grés amovível num fogão a gás, fogão elétrico ou num grelhador.

LIMPEZA

- Desligue SEMPRE a ficha da panela de preparação lenta da tomada elétrica e deixe arrefecer antes de limpar.
- A tampa e o grés podem ser lavados na máquina de lavar louça ou com água quente com detergente. Não utilize compostos ou esfregões de limpeza abrasivos. Um pano, uma esponja ou uma espátula de borracha removem geralmente os resíduos. Para retirar manchas de água ou outras manchas, utilize um produto de limpeza não abrasivo ou vinagre.
- Tal como com qualquer cerâmica fina, o grés e a tampa não irão suportar mudanças de temperatura repentinas. Não lave o grés ou tampa com água fria quando estes estiverem quentes.
- O exterior da base de aquecimento pode ser limpo com um pano macio e água quente e detergente. Secar com um pano. Não utilizar produtos de limpeza abrasivos.
- PRECAUÇÃO: Nunca submerja a base de aquecimento em água ou qualquer outro líquido.
- Não deve ser feita outra manutenção.

NOTA: Após a limpeza à mão ser feita deixe que o grés seque ao ar antes de o arrumar.

CONSELHOS E DICAS

MASSA E ARROZ:

- Se a receita requerer que sejam acrescentados noodles, macarrão, etc. cozinhe-os num fogão tradicional até ficarem ligeiramente tenros e adicione à sua panela de preparação lenta durante os últimos 30 minutos de preparação. Para utilizar arroz, misture com os outros ingredientes e adicione $\frac{1}{4}$ de copo extra de líquido por cada $\frac{1}{4}$ de copo de arroz. Obterá melhores resultados com arroz agulha.

FEIJÕES:

- Os feijões devem ser completamente demolhados antes de os misturar com açúcar e/ou alimentos ácidos. O açúcar e o ácido têm um efeito enrijecedor nos feijões e irão fazer com que não amoleçam.
- Feijões secos, especialmente feijões vermelhos, devem ser fervidos antes de os adicionar a uma receita.
- Podem ser utilizados feijões enlatados totalmente cozinhados como substituto de feijões secos.

VEGETAIS:

- Muitos vegetais beneficiam de cozedura lenta e são capazes de desenvolver o seu máximo sabor. Têm tendência para não cozinhar demasiado na sua panela de preparação lenta, contrário ao que poderia acontecer no forno ou fogão.
- Quando cozinhar receitas com vegetais e carne, coloque os vegetais na panela de preparação lenta antes da carne. Os vegetais normalmente cozinham mais devagar do que a carne na panela de preparação lenta.
- Coloque os vegetais junto às laterais e parte inferior do grés para facilitar a cozedura.

ERVAS E ESPECIARIAS:

- Ervas frescas adicionam sabor e cor, mas devem ser adicionadas no fim do ciclo de preparação, uma vez que o sabor irá dissipar-se com tempos longos de cozedura.
- Ervas e especiarias moídas e/ou secas funcionam melhor em cozedura lenta e podem ser adicionados no início.
- A intensidade do sabor de todas as ervas e especiarias pode variar bastante consoante o seu tempo específico de existência na prateleira. Utilize ervas com moderação, prove no fim do ciclo de cozedura e ajuste os temperos antes de servir.

LEITE:

- Leite e natas irão separar-se durante tempos de cozedura longos. Quando possível, adicione durante os últimos 15 a 30 minutos de cozedura.
- Os preparados enlatados de sopa podem ser substituídas por leite e podem cozinhar durante períodos mais longos.

SOPAS:

- Algumas receitas precisam de grandes quantidades de água. Adicione primeiro os ingredientes da sopa à panela de preparação lenta, depois adicione água apenas até cobrir. Se desejar uma sopa mais fina, adicione mais líquido quando servir.

CARNES:

- Apare a gordura, lave bem e seque a carne com toalhas de papel.
- Corar a carne numa frigideira ou grelha separada permite que a gordura seja retirada antes da cozedura lenta e também dá mais profundidade de sabor.
- A carne deve ser colocada de forma a que repouse no grés sem tocar na tampa.
- Para pedaços de carne mais pequenos ou maiores, altere a quantidade de vegetais ou de batatas para que o grés esteja sempre entre ½ a ¾ cheio.
- O tamanho da carne e os tempos de cozedura recomendados são apenas estimativas e podem variar consoante o corte, tipo e estrutura de osso específicos. Carnes magras, como galinha ou lombo de porco tendem a cozinhar mais depressa do que carne com mais tecido conjuntivo e gordura, como acém ou ombro de porco. Cozinhar a carne com osso irá demorar mais tempo do que cozinhar carne sem osso.
- Corte a carne em pedaços mais pequenos quando cozinhar com alimentos pré-cozinhados, como feijões ou fruta, ou vegetais leves como cogumelos, cebola às rodela, beringela ou vegetais picados finamente. Isto permite que toda a comida cozinhe de forma homogénea.
- Quando cozinha carnes congeladas, deverá adicionar primeiro, pelo menos, 1 chávena de líquido quente. O líquido irá funcionar como "almofada" para evitar mudanças repentinas de temperatura. Normalmente são necessárias 4 horas adicionais em LOW (baixo) ou 2 horas em HIGH (alto). Para pedaços maiores de carne congelada, poderá demorar mais tempo a descongelar e a ficar tenra.

PEIXE:

- O peixe coze rapidamente e deve ser adicionado no fim do ciclo de cozedura durante os últimos quinze minutos a uma hora de cozedura.

LIQUÍDOS:

- Para melhores resultados e para evitar que a comida seque ou queime, certifique-se de que é utilizada uma quantidade de líquido adequado na receita.
- Poderá parecer que as nossas receitas apenas têm uma pequena quantidade de líquido, mas o processo de cozedura lenta difere de outros métodos de cozedura, na medida em que o líquido adicionado na receita irá quase duplicar durante o tempo de cozedura. Como tal, se estiver a adaptar uma receita para a sua panela de cozedura lenta, reduza a quantidade de líquido antes de cozinhar.

RECEITAS

COSTELETAS 3–5 doses

2 – 3 tiras de costeletas cortadas em 3–4 pedaços

600 ml de molho barbecue

1-1½ cebolas, picadas

1. Coloque as costeletas na panela de preparação lenta Crock-Pot®. Coloque por cima a cebola e o molho barbecue.
2. Tape e cozinhe na definição Low (Baixa) durante 7-9 horas ou High (Alta) durante 4-5 horas ou até a carne estar tenra.
3. Para servir, corte as costeletas entre os ossos e cubra com molho extra, conforme desejado.

PORCO DESFEITO BBQ 3–4 doses

1 kg de lombo de porco, sem gordura

600 mililitros de molho barbecue

1–1½ cebolas, picadas

3-4 pães de hambúrguer ou pães pequenos

1. Coloque o porco na panela de preparação lenta Crock-Pot®. Coloque por cima a cebola e o molho barbecue.
2. Tape e cozinhe na definição Low (Baixa) durante 7-9 horas ou High (Alta) durante 4-5 horas ou até a carne estar tenra.
3. Retire o porco da panela de preparação lenta Crock-Pot® e desfaça com um garfo. Adicione novamente o porco à panela de preparação lenta Crock-Pot® e tape com molho.
4. Sirva o porco desfeito BBQ em pães de hambúrguer ou pães pequenos.

BIFE BOURGUIGNON 3-4 doses

Farinha

Sal marinho e pimenta

700 g de bife assado, cortado em cubos de 2,5 centímetros

1½ cenoura grande, descascada e laminada

½ cebola média, laminada

3 tiras de bacon cozinhado, cortado em pedaços de 2,5 cm

150 ml de caldo de carne

240 ml vinho tinto ou Burgundy

7-8 g puré de tomate

1 dente de alho, picado

1½ ramo de tomilho fresco, sem pé

1 folha de louro

225 g de cogumelos frescos, laminados

1. Cubra a carne com farinha, tempere com sal e pimenta. Sele a carne numa frigideira no fogão (opcional).
2. Coloque a carne na panela de preparação lenta Crock-Pot® e adicione os restantes ingredientes.
3. Tape e cozinhe na definição Low (Baixa) durante 8-10 horas ou High (Alta) durante 6 horas ou até a carne estar tenra.

FRANGO ASSADO COM LIMÃO E ERVAS 4-6 doses

1,5 kg de frango para assar

1 cebola pequena

Manteiga

Sumo de um limão

2,5 g de sal marinho

15 g de salsa fresca

5 g tomilho seco

Uma pitada de paprica

100 ml de água ou caldo

1. Coloque a cebola na cavidade do frango e esfregue a pele com manteiga. Coloque o frango na panela de preparação lenta Crock-Pot®.
2. Esprema o sumo de limão por cima do frango e tempere com os restantes temperos. Adicione água/caldo, depois tape e cozinhe na definição Low (Baixa) 8-10 horas ou High (Alta) 4 horas.

CACCIATORE DE FRANGO 2-4 doses

1-1½ cebolas, finamente laminadas

500 g de frango (peitos ou coxas), sem pele

200 g de tomate em conserva, picados

2 dentes de alho, picados

200 ml de vinho branco seco ou caldo

15 g de alcaparras

10 azeitonas Kalamata sem caroço, picadas grosseiramente

1 molho de salsa ou manjeriço fresco, sem pé e grosseiramente picado

Sal marinho e pimenta

Massa cozinhada

1. Coloque a cebola laminada na panela de preparação lenta Crock-Pot® e tape com a galinha.
2. Numa tigela, misture o tomate, sal, pimenta, alho e vinho branco. Despeje sobre o frango.
3. Tape e cozinhe na definição Low (Baixa) durante 6 horas ou High (Alta) durante 4 horas ou até o frango estar tenro.
4. Misture as alcaparras, azeitonas e ervas antes de servir.
5. Sirva sobre a massa cozinhada.

Nota: Cozinhar o frango com osso, em vez de sem osso, irá aumentar o tempo de cozedura cerca de 30 minutos a 1 hora.

CHILLI 3–4 doses

1 cebola grande, picada
2-3 dentes de alho, picados
1 pimento verde, picado
500 g de carne desfeita
400 g de feijões vermelhos, escorridos
200 g de tomate em cubos
1 pimento chilli (opcional), sem sementes e picado
7-8 g de puré de tomate
2,5g de pimenta caiena
100 ml de caldo de carne

1. Adicione todos os ingredientes na panela de preparação lenta Crock-Pot®.
2. Tape e cozinhe na definição Low (Baixa) durante 8-9 horas ou High (Alta) durante 4 horas.

CARNE ASSADA 3–5 doses

800 g - 1 kg de ombro de porco
1½ cebolas, laminadas
Farinha
1 talo de aipo, laminado
Sal marinho e pimenta
120 g de cogumelos, laminados
1½ cenoura, laminada
120 ml de caldo de carne ou vinho
1½ batatas, descascadas e cortadas aos quartos

1. Cubra a carne com farinha, tempere com sal e pimenta. Sele numa frigideira no fogão (opcional).
2. Coloque os vegetais na panela de preparação lenta Crock-Pot®, exceto os cogumelos. Adicione a carne e espalhe os cogumelos por cima. Regue com o líquido.
3. Tape e cozinhe na definição Low (Baixa) durante 10 horas ou High (Alta) durante 6 horas ou até estar tenro.

ESTUFADO DE CARNE 3–4 doses

500 - 600 g de carne do ombro, aos cubos
Farinha
Sal marinho e pimenta
350 ml de caldo de carne
7,5 ml de molho Worcestershire
1½ dentes de alho, picados
1 folha de louro
3 batatas pequenas, descascadas e cortadas aos cubos
1-1½ cebolas, picadas
1½ talos de aipo, laminados

1. Polvilhe a carne com a farinha, o sal e a pimenta. Coloque a carne na panela de preparação lenta Crock-Pot®.
2. Adicione os restantes ingredientes e mexa bem.
3. Tape e cozinhe na definição Low (Baixa) durante 8-10 horas ou High (Alta) durante 6 horas ou até a carne estar tenra. Mexa bem antes de servir.

FILETES DE PEIXE FÁCEIS E SAUDÁVEIS 2-3 doses

500 g DE PEIXE BRANCO (bacalhau, robalo, etc.), sem pele
Ervas frescas (salsa, manjeriço, estragão, etc.)
1-1½ limões, finamente laminados
Salsa ou tapenade de azeitonas para guarnecer

1. Tempere com sal e pimenta ambos os lados do peixe e coloque na panela de preparação lenta Crock-Pot®. Tape o peixe com as ervas e as fatias de limão e coloque algumas por baixo do peixe.
2. Tape e cozinhe na definição High (Alta) durante 30-40 minutos ou aguarde até já não estarem translúcidos. Os tempos de cozedura variam consoante a espessura do peixe.
3. Retire o limão e termine com salsa ou tapenade.

GARANTIA

Guarde o seu recibo, já que ele será necessário para quaisquer reclamações ao abrigo desta garantia.

Este produto tem uma garantia de 2 anos após a compra, conforme o descrito neste documento.

Durante este período de garantia, no caso improvável de o aparelho deixar de funcionar devido a um defeito de concepção ou fabrico, devolva-o ao local da compra, acompanhado do recibo e de uma cópia desta garantia.

Os direitos e benefícios adquiridos ao abrigo desta garantia complementam e não afectam os seus direitos legais. Apenas a Jarden Consumer Solutions (Europe) Limited ("JCS (Europe)") tem o direito de alterar estes termos.

A JCS (Europe) compromete-se, durante o período da garantia, a reparar ou substituir o aparelho ou qualquer peça do mesmo que não funcione devidamente, sem encargos, desde que:

- Comunique prontamente ao local de compra ou à JCS (Europe) o problema; e
- o aparelho não tenha sofrido qualquer alteração, nem tenha sido sujeito a danos, uso indevido, abuso, reparação ou alteração por alguém não autorizado pela JCS (Europe).

Esta garantia não cobre as avarias resultantes de uso indevido, danos, abuso, uso de voltagem incorrecta, actos da natureza, eventos fora do controlo da JCS (Europe), reparações ou alterações por alguém não autorizado pela JCS (Europe) ou incumprimento das instruções de utilização. A garantia não cobre igualmente o desgaste normal, incluindo, entre outros, ligeira descoloração e riscos.

Os direitos adquiridos ao abrigo desta garantia aplicam-se apenas ao comprador original e não são extensíveis a uma utilização comercial ou colectiva.

Se o seu aparelho incluir uma garantia ou um certificado específico para o país, por favor consulte os termos e as condições dessa garantia ou certificado em vez desta, ou contacte o seu revendedor local autorizado para mais informações.

Esta marca indica que este produto não deveria ser disposto com outros dejetos domésticos e que deveria ser disposto separadamente por toda a UE. Para prevenir possível dano ao ambiente ou saúde humana por disposição descontrolada de dejetos devido à presença de substâncias perigosas dentro do produto, recicle para responsabilmente promover a reutilização sustentável de materiais e recursos. Para devolver seu dispositivo usado, por favor usem os sistemas retorno e de coleção disponível para você ou contate o varejista onde o produto foi comprado. Eles podem levar este produto para reciclagem ambientalmente segura.



Jarden Consumer Solutions (Europe) Limited
5400 Lakeside
Cheadle Royal Business Park
Cheadle
SK8 3GQ
UK

NEDERLANDS

BELANGRIJKE VOORZORGSMAATREGELEN

Lees deze handleiding voorzichtig door voordat u dit apparaat gebruikt, aangezien een juist gebruik de allerbeste prestaties geeft.

Dit apparaat kan worden gebruikt door kinderen van 8 jaar en ouder en personen met beperkt fysiek, zintuiglijk of mentaal vermogen, of een gebrek aan ervaring en kennis, indien zij voldoende begeleiding of instructies hebben ontvangen over het veilige gebruik van het apparaat en zij de eventuele gevaren ervan begrijpen. Laat kinderen niet met dit apparaat spelen. Reiniging of onderhoud door kinderen mag uitsluitend onder begeleiding worden uitgevoerd.

Indien het stroomsnoer is beschadigd, dient dit door de fabrikant, zijn onderhoudsbedrijf of gelijksoortige erkende personen te worden vervangen om gevaren te voorkomen.

- ⚠️ Laat voldoende ruimte vrij boven en om het apparaat voor luchtcirculatie. Zorg dat het apparaat tijdens gebruik niet in contact kan komen met ontvlambare materialen (zoals gordijnen of wandbekleding). Plaats het apparaat tijdens gebruik niet onder een keukenkast.
- ⚠️ Na gebruik, alvorens het apparaat te reinigen, altijd controleren of het apparaat is uitgeschakeld en de stekker uit het stopcontact is verwijderd.
- ⚠️ Het apparaat altijd goed laten afkoelen voordat dit wordt gereinigd of opgeborgen.
- ⚠️ Wees uiterst voorzichtig wanneer u het apparaat verplaatst als dit warm voedsel of warme vloeistoffen bevat.
- ⚠️ Vermijd plotselinge temperatuurverandering, bijvoorbeeld door gekoeld voedsel toe te voegen als de schaal heet is.
- ⚠️ Het apparaat niet gebruiken als het is gevallen of zichtbare beschadiging of lekkages vertoont.
- ⚠️ Dit apparaat niet gebruiken voor een ander doel dan het bestemde doel. Dit apparaat is uitsluitend voor huishoudelijk gebruik. Het is niet geschikt voor gebruik buiten.
- ⚠️ Geen enkel deel van het apparaat of het stroomsnoer onderdompelen in water of een andere vloeistof.
- ⚠️ Het stroomsnoer nooit over de rand van een werkblad of aanrecht laten hangen, in aanraking laten komen met hete oppervlakken, of in de knoop, vast of bekneld laten raken.
- ⚠️ Dit apparaat mag niet op of in de buurt van oppervlakken worden geplaatst die heet kunnen worden (zoals een fornuis).
- ⚠️ Raak de buitenkant van het apparaat tijdens gebruik niet aan; de oppervlakken kunnen erg heet worden. Gebruik een ovenwant of doek om het deksel te verwijderen. Pas op voor de hete stoom die ontsnapt wanneer het deksel wordt verwijderd.
- ⚠️ Gebruik het apparaat nooit leeg, zonder dat het deksel is geplaatst of als het deksel gebarsten of beschadigd is.
- ⚠️ Zet de aardewerken schaal niet op een oppervlak dat niet hittebestendig is. Zet de schaal altijd op een hittebestendige onderzetter.
- ⚠️ Wees voorzichtig wanneer u de schaal op een kwetsbaar of gepolijst oppervlak zet; de bodem van de schaal is niet geglaazuurd en kan krassen of andere beschadigingen veroorzaken. Om dergelijke oppervlakken te beschermen, wordt u aanbevolen om de schaal op een onderzetter te zetten.

DIT APPARAAT NIET GEBRUIKEN VOOR EEN ANDER DOEL DAN HET BESTEMDE DOEL. DIT APPARAAT IS UITSLUITEND VOOR HUISHOUDELIJK GEBRUIK.

VOÓR HET EERSTE GEBRUIK

Voordat u uw slowcooker gebruikt, verwijdert u alle verpakkingsmaterialen en wast u het deksel en het aardewerk af met warm sop en droogt u deze goed af.

LET OP: Zet de aardewerken schaal niet op een oppervlak dat niet hittebestendig is. Zet de schaal altijd op een hittebestendige onderzetter.

Wees voorzichtig wanneer u de schaal op een kwetsbaar of gepolijst oppervlak zet; de bodem van de schaal is niet geglaazuurd en kan krassen of andere beschadigingen veroorzaken. Om dergelijke oppervlakken te beschermen, wordt u aanbevolen om de schaal op een onderzetter te zetten.

COMPONENTEN VAN DE SLOWCOOKER VAN CROCK-POT®

- | | | | |
|----------|----------------------------------|----------|----------------------------|
| A | Glazen deksel | F | Tijdweergave |
| B | Schaal | G | Temperatuurstelling |
| C | Behuizing met verwarmingselement | H | Tijdstelling op/nee |
| D | Bedieningspaneel | I | Standby-knop |
| E | Handgreep | J | Stroomsnoer (niet getoond) |

GEBRUIK VAN UW SLOWCOOKER

- Plaats het aardewerk in het verwarmingsonderdeel, voeg uw ingrediënten toe aan de pot en dek het af met het deksel. Steek de stekker van uw Crock-Pot® in het stopcontact.
- Zet de temperatuurstelling (**G**) op de gewenste temperatuur. Het lampje voor hoge temperatuur (III) of lage temperatuur (I) gaat branden.
OPMERKING: De instelling Warmhouden (III) is UITSLUITEND voor het warmhouden van voedsel dat reeds is gekookt en warm is. Gebruik deze instelling NIET om te koken. U wordt afgeraden om uw voedsel langer dan 4 uur warm te houden met de instelling Warmhouden.
- Stel de kooktijd in met gebruik van de knoppen Tijdstelling op/nee (**H**). De kooktijd kan in stappen van 30 minuten tot maximaal 20 uur worden ingesteld. Stel de tijd in overeenkomstig de tijdsduur die in het recept wordt vermeld. De tijdsduur loopt terug in stappen van één minuut.
- Als de kooktijd voltooid is, schakelt uw slowcooker automatisch om naar de instelling Warmhouden en gaat het warmhoudlampje (III) branden.
- Druk op de standby-knop (**I**) om het verwarmingselement van de slowcooker uit te zetten. Herhaal stap 2 en 3 om het verwarmingselement weer aan te zetten. Schakel uw slowcooker UIT door de stekker uit het stopcontact te verwijderen.

GEBRUIKSAANTEKENINGEN:

- Bij een stroomstoring tijdens het koken is het apparaat uitgeschakeld als de stroomtoevoer weer wordt hersteld. Alle instellingen voor de slowcooker zijn gewist en moeten opnieuw worden ingesteld. De etenswaren zijn wellicht niet geschikt voor consumptie. Als u niet zeker weet hoe lang de stroomtoevoer is onderbroken, dan raden we aan dat u het voedsel weggooit.
- Indien gewenst kunt u uw slowcooker handmatig omschakelen naar de instelling Warmhouden als uw gerecht klaar is.
- Vul de schaal ongeveer tot de helft of driekwart en volg de aanbevolen kooktijden om te voorkomen dat uw gerecht ongaar of juist te gaar is.
- Vul de aardewerken pot niet teveel op. Om morsen te vermijden, vult u de aardewerken pot niet voor meer dan driekwart op.
- Kook de etenswaren altijd gedurende de aanbevolen tijd met het deksel erop. Verwijder het deksel niet tijdens de eerste twee uur van het koken, zodat de warmte op efficiënte wijze kan toenemen.
- Draag altijd overwanten als u het deksel of de aardewerken pot aanraakt.
- Haal de stekker uit het stopcontact na het koken en voor het reinigen.
- De uitneembare aardewerken pot is oven- en magnetronbestendig. Gebruik de aardewerken pot niet op een gasfornuis of een elektrisch fornuis, of in een braadoven. Raadpleeg het onderstaande overzicht.

HET SCHOONMAKEN VAN UW SLOWCOOKER

- Verwijder ALTIJD de stekker uit het stopcontact en laat het apparaat afkoelen voordat u de slowcooker reinigt.
- Het deksel en de stoneware-pot van de slowcooker kunnen in de afwasmachine of met heet water en zeep worden afgewassen. Gebruik geen schurende afwasmiddelen of schuurspunten. Een doek, spons of rubberen spatel zijn meestal voldoende om resten te verwijderen.
- Gebruik een niet-schurend reinigingsmiddel of azijn om water- en andere vlekken te verwijderen.
- De aardewerken pot en het deksel zijn, net als andere fijne keramiek, niet bestand tegen plotselinge temperatuurschommelingen. De aardewerken pot en het deksel niet afwassen met koud water als ze heet zijn.
- De buitenkant van de buitenpot mag worden schoongemaakt met een zachte doek en warm water en zeep. Droog het af. Gebruik geen schurende reinigingsmiddelen.
- VOORZICHTIG: dompel het verwarmingsgedeelte nooit onder in water of een andere vloeistof.
- Geen andere reparatiehandelingen mogen worden uitgevoerd.

LET OP: laat de pot drogen na het reinigen met de hand voorafgaand aan het opbergen.

HINTS EN TIPS

PASTA EN RIJST:

- Als er vermicelli, pasta, macaroni enz. aan een gerecht moet worden toegevoegd, kookt u deze eerst op uw fornuis tot ze iets zacht zijn en voegt u ze in de laatste 30 minuten aan het gerecht in uw slowcooker toe. Voor gerechten met rijst mengt u de rijst met de overige ingrediënten en voegt u voor elk $\frac{1}{4}$ kopje rijst $\frac{1}{4}$ kopje extra vloeistof toe. Rijst met lange korrel geeft betere resultaten.

BONEN:

- Bonen moeten helemaal zacht gemaakt worden voordat ze gecombineerd worden met suiker en/of zure gerechten. Suiker en zuur hebben een verhardend effect op bonen en voorkomen dat ze zacht worden.
- Gedroogde bonen, vooral rode kievitsbonen, moeten gekookt worden voordat ze aan een recept worden toegevoegd.
- Volledig gare bonen uit blik kunnen gebruikt worden ter vervanging van droge bonen

GROENTEN:

- Veel groenten profiteren van slowcooking, waarbij hun volle smaak tot zijn recht komt. In uw slowcooker worden ze meestal niet doorgekookt, zoals wel kan gebeuren in de oven of op het fornuis.
- Als u recepten bereidt met zowel groenten als vlees, leg dan de groenten vóór het vlees in de slowcooker. Over het algemeen koken groenten langzamer dan vlees in de slowcooker.
- Plaats groenten langs de zijanten of op de bodem van de aardewerken pot voor een betere bereiding.

KRUIDEN EN SPECERIJEN:

- Verse kruiden voegen smaak en kleur toe, maar dienen pas aan het eind van de bereidingstijd toegevoegd te worden, aangezien de smaak tijdens lange kooktijden vervliegt.
- Gemalen en/of gedroogde kruiden en specerijen zijn bij uitstek geschikt voor slowcooking. Ze kunnen aan het begin van de bereidingstijd worden toegevoegd.
- De smaakkracht van kruiden en specerijen kan aanzienlijk variëren, afhankelijk van hun specifieke sterkte en de houdbaarheidsperiode. Wees voorzichtig met kruiden: proef eerst aan het eind van de bereidingstijd en breng het gerecht pas vlak voor het opdienen op smaak.

MELK:

- Melk, room en zure room kunnen schiften tijdens lange bereidingstijden. Indien mogelijk, pas toevoegen in de laatste 15 tot 30 minuten van de bereidingstijd.
- Gecondenseerde soep kan als vervanging voor melk dienen en kan gedurende langere tijden koken.

SOEPEN:

- Sommige soepprecepten vragen om grote hoeveelheden water. Eerst de andere soepingrediënten aan de slowcooker toevoegen en daarna het genoeg water toevoegen tot het geheel onder water staat. Indien dunnere soep gewenst is, meer vocht toevoegen bij het opdienen.

VLEES:

- Vet wegsnijden, goed afspoelen en het vlees droogdeppen met keukenpapier.
- Door het vlees in een aparte braad- of koekenpan aan te braden, kan het vet voor het slowcooken weggegoten worden. Dit geeft ook een rijkere smaak.
- Het vlees dient zodanig in de aardewerken pot gelegd te worden dat het niet in aanraking komt met het deksel.
- Voor kleinere of grotere stukken vlees, de hoeveelheden groente of aardappelen zodanig aanpassen dat de aardewerken pot altijd $\frac{1}{2}$ tot $\frac{3}{4}$ vol is.
- De grootte van het vlees en de aanbevolen bereidingstijden zijn slechts gemiddelden en kunnen variëren, afhankelijk van het specifieke stuk vlees, het soort vlees en de botstructuur. Mager vlees, zoals kip of varkenshaas, is meestal eerder gaar dan vlees met meer bindweefsel en vet, zoals runderlappen of varkenschouder. Bereiding van vlees aan het bot in plaats van zonder bot verlengt de bereidingstijd.
- Snijd vlees in kleine stukjes wanneer het tegelijkertijd bereid wordt met voorgekookte producten, zoals bonen of fruit, of lichte groentes, zoals champignons, gehakte ui, aubergine of fijngesneden groente. Op deze manier is al het voedsel tegelijkertijd gaar.
- Bij het bereiden van bevroren vlees dient eerst minstens één kop warme vloeistof toegevoegd te worden. De vloeistof dient als een "buffer" ter vermijding van plotselinge temperatuurschommelingen. Meestal zijn er daarna nog eens vier uur op LAAG of twee uur op HOOG nodig. Bij grotere stukken bevroren vlees kan het langer duren om het vlees te ontdooien en mals te maken.

VIS:

- Vis kookt sneller en moet pas aan het einde van de kooktijd worden toegevoegd, d.w.z. tijdens de laatste vijftien minuten tot een uur.

VOCHT:

- Onze recepten lijken slechts weinig vloeistof te bevatten, maar het koken in een slowcooker verschilt van andere kookmethoden in zoverre dat de toegevoegde hoeveelheid vloeistof tijdens het koken vrijwel verdubbelt. Als u dus een recept wilt aanpassen om dit in uw slowcooker te bereiden, verminder dan de hoeveelheid vloeistof die u normaal zou gebruiken.

RECEPTEN

BABYBACKRIBBEN Voor 3–5 personen

2–3 ribstukken babybackribben, elk in 3–4 stukken gesneden

600ml barbecuesaus

1-1½ uien, fijngehakt

1. Doe de ribben in Crock-Pot® slowcooker. Bedekken met ui en barbecuesaus.
2. Afdekken en op laag koken gedurende 8 uur of op hoog gedurende 4 uur, of totdat het vlees mals is.
3. Bij het opdienen de ribben tussen de botten snijden en naar smaak overgieten met saus.

BBQ PULLED PORK Voor 3–4 personen

1 kg varkenslende, mager of vet

600ml barbecuesaus

1–1½ uien, fijngehakt

3–4 hamburgerbroodjes of harde bolletjes

1. Doe de varkenslende in Crock-Pot® slowcooker. Bedekken met ui en barbecuesaus.
2. Afdekken en op laag koken gedurende 8 uur of op hoog gedurende 4 uur, of totdat het vlees mals is.
3. Haal het varkensvlees uit Crock-Pot® slowcooker en trek met een vork in stukjes. Terugplaatsen in Crock-Pot® slowcooker en bedekken met saus.
4. Serveer BBQ pulled pork op hamburgerbroodjes of harde bolletjes.

BEEF BOURGUIGNON Voor 3–4 personen

Bloem

Zeezout en peper

700g runderlap, gesneden in blokjes van 2,5 cm

1½ grote wortels, geschild en in plakjes

½ middelgrote ui, in plakjes

3 repen gekookt spek, gesneden in stukjes van 2,5 cm

150ml runderbouillon

240ml rode wijn of bourgogne

7-8g tomatenpuree

1 knoflooktenen, fijn gemalen

1½ takjes verse tijm, met stengels

1 laurierblaadje

225g verse champignons, in plakjes

1. Het rundvlees bedekken met bloem, vermengd met zout en peper. Aanbraden in een braadpan op het fornuis (optioneel).
2. Leg het vlees in Crock-Pot® slowcooker en voeg de overige ingrediënten toe.
3. Afdekken en op laag koken gedurende 8-10 uur of op hoog gedurende 6 uur, of totdat het vlees mals is.

GEGRILDE KIP MET CITROENGRAS Voor 4–6 personen

1.5kg braadkip

1 kleine ui

Boter

Sap van een citroen

2.5g zeezout

15g verse peterselie

5g gedroogde tijm

Snufje paprikapoeder

100ml water of bouillon

1. Doe de ui in de holte van de kip en wrijf het vel in met boter. Doe de kip in Crock-Pot® slowcooker.
2. Citroensap over de kip uitknijpen en bestrooien met de overige kruiden. Afdekken en op laag koken gedurende 8-10 uur of op hoog gedurende 4 uur.

KIP CACCIATORE Voor 2–4 personen

1–1½ uien, in dunne plakjes

500g kippenvlees (filet of dijen), zonder vel

200g blik pruimtomaten, in blokjes

2 knoflooktenen, fijn gemalen

200ml droge witte wijn of bouillon

15g kappertjes

10 kalamataolijven, grofgehakt

½ bosje verse peterselie of basilicum, met steel en grofgehakt

Zeezout en peper

Gekookte pasta

1. Leg de gesneden ui in Crock-Pot® slowcooker en bedek die met het kippenvlees.
2. In een kom tomaten, zout, peper, knoflook en witte wijn door elkaar roeren. Giet dit over het kippenvlees.
3. Afdekken en op laag koken gedurende 6 uur of op hoog gedurende 4 uur, of totdat het kippenvlees mals is.
4. De kappertjes, olijven en verse kruiden vlak voor het opdienen erdoorheen roeren.
5. Serveren met gekookte pasta.

Let op: bereiding van kip aan het bot verlengt de bereidingstijd in verhouding tot kip zonder bot met ongeveer 30 minuten tot 1 uur.

CHILI Voor 3–4 personen

1 grote ui, in blokjes
2-3 knoflooktenen, fijngemalen
1 groene paprika, in blokjes
500g rundergehakt
400g met rode bonen, afgespoeld en uitgelekt
1 blik van 200 g tomaten in blokjes
1 jalapeño, zonder zaadjes en fijngemalen
7-8g tomatenpuree
2.5g cayennepeper
100ml runderbouillon

1. Alle ingrediënten toevoegen aan de Crock-Pot® slowcooker.
2. Afdekken en op laag koken gedurende 8-9 uur of op hoog gedurende 4 uur.

GEBRADEN RUNDVLEES Voor 3–5 personen

800g - 1kg runderbraadlappen
1½ uien in plakjes
Bloem
1 stengel bleekselderij in plakjes
zeezout en peper
120g champignons in plakjes
1½ wortels, in plakjes
120ml runderbouillon of wijn
1½ aardappels, in vieren

1. Bedek het vlees met ½ kop bloem, zout en peper. Het vlees dichtbranden in een braadpan op het fornuis (eventueel).
2. Alle groenten in Crock-Pot® slowcooker doen, behalve de champignons. Het vlees toevoegen en de champignons erboven verspreiden. Het vocht toevoegen.
3. Afdekken en op laag koken gedurende 10 uur of op hoog gedurende 6 uur, of totdat het vlees mals is.

RUNDERSTOOFSCHOTEL Voor 3–4 personen

500 - 600g runderstoofvlees, in blokjes van 2,5 cm,
Bloem
Zeezout en peper
350ml runderbouillon
7.5ml worcestershiresaus
1½ knoflooktenen, fijngehakt
1 laurierblaadjes
3 kleine aardappelen, in vieren
1-1½ uien, fijngehakt
1½ bleekselderijstengels in plakjes

1. Bloem, zout en peper over het vlees strooien. Doe het vlees in Crock-Pot® slowcooker.
2. Overige ingrediënten toevoegen en goed doorroeren.
3. Afdekken en op laag koken gedurende 8-10 uur of op hoog gedurende 6 uur, of totdat het vlees mals is. Voor het opdienen goed doorroeren.

EENVOUDIGE EN GEZONDE VISFILET Voor 2–3 personen

Zeezout en peper

500 g witvis, zonder vel

Verse kruiden (ongekrulde peterselie, basilicum, dragon, bonenkruid of een combinatie van alles)

1-1½ citroenen, in dunne plakjes

Bereide salsa of olijventapenade voor de garnering

1. De vis aan beide zijden bestrooien met zout en peper en in Crock-Pot® slowcooker leggen. De bovenkant van de vis met kruiden en plakjes citroen bedekken en ook wat citroenplakjes onder de vis plaatsen.
2. Afdekken en op hoog bereiden gedurende ongeveer 30-40 minuten, of totdat de vis niet meer doorschijnend is. Bereidingstijden variëren afhankelijk van de dikte van de vis.
3. De citroenplakjes verwijderen en bedekken met salsa of tapenade.

GARANTIE

Bewaar uw aankoopbewijs, voor het geval u aanspraak wilt maken op deze garantie.

Op dit apparaat wordt garantie gegeven voor 2 jaar vanaf de aankoopdatum, zoals beschreven in dit document.

In het onwaarschijnlijke geval dat het apparaat gedurende deze garantieperiode niet meer functioneert als gevolg van een ontwerp- of fabricagefout, kunt u het terugbrengen naar de winkel waar u het hebt gekocht, samen met uw aankoopbewijs en een kopie van deze garantie.

De rechten en baten van deze garantie vormen een aanvulling op uw wettelijke rechten, die niet door deze garantie worden beïnvloed. Alleen Jarden Consumer Solutions (Europe) Limited ("JCS (Europe)") behoudt het recht deze voorwaarden te wijzigen.

JCS (Europe) verplicht zich binnen de garantieperiode het apparaat of een onderdeel van het apparaat dat niet goed werkt gratis te repareren of te vervangen, op voorwaarde dat:

- u de winkel of JCS (Europe) direct op de hoogte brengt van het probleem; en dat
- het apparaat niet op welke manier dan ook is aangepast of te lijden heeft gehad van schade, verkeerd gebruik, misbruik, reparatie of aanpassing door een persoon die daartoe niet is gemachtigd door JCS (Europe).

Storingen die optreden als gevolg van onjuist gebruik, schade, misbruik, gebruik met het verkeerde voltage, natuurrampen, gebeurtenissen die buiten de macht van JCS (Europe) vallen, reparatie door een persoon die daartoe niet is gemachtigd door JCS (Europe) of het niet opvolgen van de gebruiksinstructies, vallen niet onder deze garantie. Bovendien valt normale slijtage, inclusief maar niet beperkt tot lichte verkleuring en krassen, niet onder deze garantie.

De rechten onder deze garantie zijn alleen van toepassing op de oorspronkelijke koper en kunnen niet worden uitgebreid naar commercieel of algemeen gebruik.

Als uw apparaat onder een landspecifieke garantie valt, raadpleegt u de voorwaarden van die garantie in plaats van deze garantie, of neemt u contact op met uw lokale erkende dealer voor meer informatie.

Afgedankte elektrische producten mogen niet bij het huishoudelijk afval worden gegooid. Maak indien mogelijk gebruik van recycleermogelijkheden. E-mail ons op enquiriesEurope@jardencs.com voor meer recycling- en WEEE-informatie.



Jarden Consumer Solutions (Europe) Limited
5400 Lakeside
Cheadle Royal Business Park
Cheadle
SK8 3GQ
UK

SVENSKA

VIKTIGA SÄKERHETSÅTGÄRDER

Läs den här handboken noga, innan du tar apparaten i bruk, då korrekt användning ger bästa resultat. Spara de här anvisningarna för framtida bruk.

Denna apparat kan användas av barn från 8 års ålder och av personer med nedsatt fysisk, sensorisk eller mental kapacitet eller brist på erfarenhet och kunskap om de har fått handledning eller anvisningar om hur apparaten används på ett säkert sätt och förstår riskerna som är involverade. Barn får inte leka med denna apparat. Rengöring och användarunderhåll ska inte utföras av barn utan handledning.

Om nätsladden skadas måste den bytas ut av tillverkaren, dennes serviceombud eller en person med liknande kvalifikationer för att undvika risker.

- △ Lämna tillräckligt med utrymme för luftcirkulation på ovsidan och alla sidor. Apparaten får inte vidröra lättantändligt material (till exempel gardiner eller tapeter) under användning. Den får inte användas under ett skåp.
- △ Se till att apparaten är avstängd och att sladden är utdragen ur eluttaget efter användning och före rengöring.
- △ Låt alltid apparaten svalna före rengöring eller förvaring.
- △ Var mycket försiktig när du flyttar en apparat som innehåller varm mat eller dryck.
- △ Undvik plötsliga temperaturförändringar, till exempel vid tillsättning av djupfryst mat i en uppvärmd innerskål.
- △ Använd inte apparaten om den har blivit tappad, om det finns synliga tecken på skador eller om den läcker.
- △ Använd aldrig denna apparat till någonting annat än det som den är avsedd för. Denna apparat är endast avsedd för hushållsanvändning. Apparaten får inte användas utomhus.
- △ Doppa aldrig någon del av apparaten eller nätsladden och kontakten i vatten eller någon annan vätska.
- △ Låt aldrig nätsladden hänga över kanten på en arbetsbänk, vidröra varma underlag eller bli snodd, fastna eller bli klämd.
- △ Apparaten får inte placeras på eller i närheten av underlag som kan vara varma (t.ex. håll/platta på en gas- eller elspis).
- △ Vidrör inte apparatens yttre ytor under användning eftersom de kan bli mycket varma. Använd ugnsvantar eller duk när du lyfter av locket. Se upp för het ånga när du lyfter av locket.
- △ Använd aldrig apparaten om den är tom, saknar lock eller om locket är sprucket eller skadat.
- △ Placera inte innerskålen av stengods på en yta som påverkas av hetta. Placera alltid skålen på en trefot eller ett kastrullunderlägg.
- △ Var försiktig när du placerar innerskålen direkt på ömtåliga eller polerade ytor eftersom skålens basplatta är oglaserad och således kan få repor eller andra märken. Vi rekommenderar att du lägger ett underlägg under skålen som skyddar dess yta.

DENNA APPARAT ÄR ENDAST AVSEDD FÖR BRUK I HUSHÅLLET. ANVÄND INTE APPARATEN TILL ÄNDAMÅL SOM DEN INTE ÄR AVSEDD TILL.

FÖRE DEN FÖRSTA ANVÄNDNINGEN

Innan du använder låghastighetskokaren måste du ta bort allt förpackningsmaterial och diska locket och stengodsgrytan med varmt vatten och torka dessa noggrant.

VIKTIGT: Placera inte innerskålen av stengods på en yta som påverkas av hetta. Placera alltid skålen på en trefot eller ett kastrullunderlägg.

Var försiktig när du placerar innerskålen direkt på ömtåliga eller polerade ytor eftersom skålens basplatta är oglaserad och således kan få repor eller andra märken. Vi rekommenderar att du lägger ett underlägg under skålen som skyddar dess yta.

CROCK-POT® LÅGHASTIGHETSKOKARES DELAR

- | | | | |
|----------|-----------------------|----------|--------------------------|
| A | Glaslock | F | Timerinställningsdisplay |
| B | Innerskål av stengods | G | Temperaturvalsknapp |
| C | Uppvärmningsbas | H | Timerns upp-/nedknappar |
| D | Kontrollpanel | I | Standbyknapp |
| E | Handtag | J | Elsladd (ej på bild) |

HUR MAN ANVÄNDER LÅGHASTIGHETSKOKAREN

1. Sätt stengodsgrytan på uppvärmningsenheten, fyll den med önskade ingredienser och sätt på locket. Anslut Crock-Pot®-långsamkokaren till ett eluttag.
2. Ställ in temperaturen med temperaturvalsknappen (**G**). Högtemperaturlampan (SS) eller lågtemperaturlampan (SS) tänds.
OBS! Läget för varmhållning (SS) avser ENDAST varmhållning av mat som redan har tillagats. Tillaga INTE i värmeläget. Vi rekommenderar inte bruk av värmeläget i mer än 4 timmar.
3. Tryck på timerns upp-/nedknappar (**H**) för att välja tillagningstid. Timern kan ställas in i steg om 30 minuter upp till 20 timmar. Välj den tid som anges i receptet. Tiden räknas ned en minut i taget under tillagningen.
4. Efter tillagningen övergår långsamkokaren automatiskt till läget för varmhållning samtidigt som varmhållningsknappen (SS) tänds.
5. Tryck på standby-knappen (**I**) om du vill att maten ska sluta kokas. Följ steg 2 och 3 enligt ovan när du vill börja koka den igen. Du stänger av långsamkokaren genom att dra ut sladden ur eluttaget.

OBSERVATIONER GÄLLANDE ANVÄNDNING:

- Om det blir strömavbrott medan tillagningen pågår kommer apparaten att vara avstängd när strömmen kommer tillbaka. Alla låghastighetskokarens inställningar kommer att ha raderats och måste ställas in på nytt. Tänk på att maten kan ha blivit förstörd om detta inträffar. Om du inte känner till hur länge strömmen har varit avstängd rekommenderar vi att du slänger maten som är i kokaren.
- Efter tillagningen kan du vid behov övergå manuellt till läget för varmhållning.
- Undvik under- eller övertillagning genom att alltid fylla innerskålen av stengods till mellan $\frac{1}{2}$ och $\frac{3}{4}$ och följa den rekommenderade tillagningstiden.
- Fyll inte stengodskokaren med alltför mycket mat. Fyll aldrig stengodskokaren mer än till $\frac{3}{4}$ då maten kan koka över.
- Låt alltid locket vara på under den tid som rekommenderas. Ta aldrig bort locket under de första två timmarna av tillagning så att det blir tillräckligt varmt i kokaren.
- Använd alltid grytlappar när du tar på locket eller stengodsgrytan.
- Dra ut kontakten när tillagningen är klar och innan rengöring.
- Den flyttbara stengodsgrytan är ugnssäker och mikrosäker. Använd inte stengodsgrytan på gas- eller elspis eller under grillen.

SÅ HÄR RENGÖR DU DIN LÅGHASTIGHETSKOKARE

- Dra ALLTID ut sladden ur eluttaget och låt apparaten svalna innan du rengör den.
- Locket och stengodsgrytan går att diska i diskmaskin eller med varmt tvålvatten. Använd inte slipmedel eller skrubborstar. En trasa eller gummiskrapa brukar räcka för att ta bort eventuella rester.
- Precis som när det gäller all fin keramik klarar stengodsgrytan och locket inte av plötsliga temperaturskillnader. Diska därför inte stengodsgrytan eller locket med kallt vatten om de är varma.
- Uppvärmningsenhetens utsida kan rengöras med en mjuk trasa och varmt tvålvatten. Torka torrt.
- Använd inte slipande rengöringsmedel.
- FÖRSIKTIGHET: Sänk aldrig ned uppvärmningsenheten i vatten eller annan vätska.
- Inget annat underhåll bör utföras på apparaten.

OBS! Låt grytan lufttorka innan förvaring efter att du diskat den för hand.

TIPS

PASTA OCH RIS:

- Om receptet innehåller nudlar, makaroner etc. ska du tillaga dessa på en vanlig spis tills de mjuknar något och sedan överföra dem till långsamkokaren för ytterligare 30 minuters tillagning. Om du använder ris ska du omröra det tillsammans med de andra ingredienserna och tillsätta en ¼ kopp extra vätska för varje ¼ kopp ris. Du erhåller det bästa resultatet med långkornigt ris.

BÖNOR:

- Bönor måste vara helt mjuka innan de blandas med socker och/eller syrliga ingredienser. Socker och syra gör att bönorna blir hårda och förhindrar att de mjuknar.
- Torkade bönor, särskilt röda trädgårdsbönor, ska kokas innan de används i ett recept.
- Det går också bra att använda färdigkokta bönor på burk i stället för torkade bönor.

GRÖNSAKER:

- Många grönsaker blir extra goda när de tillagas långsamt då detta ofta framhäver dess fulla smak. Grönsakerna överkokas inte lika lätt i din låghastighetskokare som de kan göra i ugnen eller på spisen.
- Om man tillagar maträtter som innehåller både grönsaker och kött lägger man i grönsakerna i kokaren innan köttet. Grönsaker tar ofta längre tid att tillaga i låghastighetskokaren än kött.
- Lägg grönsakerna vid stengodsgrytans sidor eller botten för att de ska tillagas ordentligt.

ÖRTER OCH KRYDDOR:

- Färska örter ger smak och färg men bör tillsättas mot slutet av tillagningen eftersom smaken kan försvinna om de får ligga i alltför länge.
- Malda och/eller torkade örter och kryddor fungerar däremot bra för långsam tillagning och kan läggas i från första början.
- Hur mycket örter och kryddor smakar varierar mycket beroende på hur starka de är och hur gamla de är. Använd örter sparsamt och provsmaka mot slutet av tillagningen och justera kryddningen strax innan maten ska serveras.

MJÖLK:

- Mjök, grädde och crème fraîche kan skära sig vid alltför långa koktider. Tillsätt därför dessa under de sista 15 till 30 minuterna av tillagningen om möjligt.
- Soppkoncentrat kan användas i stället för mjök och klarar av långa koktider.

SOPPOR:

- Vissa sopprecept innehåller stora mängder vatten. Tillsätt soppans övriga ingredienser i låghastighetskokaren först och tillsätt sedan bara tillräckligt med vatten för att täcka dessa. Om man vill ha en tunnare soppa kan man tillsätta mer vätska när soppan ska serveras.

KÖTT:

- Putsa bort fett och torka av köttet noga med hushållspapper.
- Om man bryner köttet i en separat stekpanna först kan man låta fettets rinna av innan man lägger i det i låghastighetskokaren vilket ger en djupare smak.
- Kött ska läggas i grytan på ett sätt som gör att det inte kommer i kontakt med locket.
- För mindre eller större köttbitar anpassar man mängden grönsaker och potatis så att stengodsgrytan alltid fylls till mellan ½ och ¾.
- Köttbitarnas storlek och de rekommenderade tillagningstiderna är bara ungefärliga och kan variera beroende på hur köttet är tillskuret, vilken typ av kött det är, om det innehåller ben, etc. Magert kött som t.ex. kyckling eller fläskfilé brukar tillagas snabbare än kött med mer bindväv och fett som t.ex. grytkött eller fläskbög. Om man tillagar köttet med eller utan ben påverkar också tillagningstiden.
- Skär köttet i mindre bitar om det ska tillagas med förkokta ingredienser som t.ex. bönor eller frukt, lätta grönsaker som champinjoner, hackad lök, aubergine eller finhackade grönsaker. På så sätt kan alla ingredienser tillagas lika snabbt.
- Tillsätt minst 2,5 deciliter varm vätska vid tillagning av fryst kött. Vätskan kommer att skydda grytan mot plötsliga temperaturförändringar. 4 extra timmars tillagning på LOW (LÅG) eller 2 timmar på HIGH (HÖG) behövs vanligtvis. För större bitar fryst kött kan det ta mycket längre tid att tina upp köttet och få det mörkt.

FISK:

- Fisk kokar snabbt och skall tillsättas i slutet av koktiden, under de sista femton till sextio minuterna.

LIQUID:

- För bästa resultat och för att förhindra att maten kokar torr eller bränns vid, bör man alltid se till att en lämplig mängd vätska används i receptet.
- Det kan verka som om att våra recept endast innehåller en liten mängd vätska, men den långsamma tillagningsprocessen skiljer sig från andra tillagningsmetoder eftersom vätskemängderna i receptet nästan fördubblas under tillagnings tiden. Om du försöker anpassa ett recept till långsamkokaren ska du således minska vätskemängden innan du påbörjar tillagningen.

RECEPT

BABY BACK RIBS Räcker till 3-5 personer

2-3 baby back ribs, samtliga skurna i 3-4 bitar

600ml barbecuesås

1-1½ hackade lökar

1. Lägg revbenen i Crock-Pot® låghastighetskokare. Täck med lök och barbecuesås.
2. Lägg på locket och tillaga på läget Low (Låg) i 8 timmar eller på High (Hög) i 4 timmar, eller tills köttet är mört.
3. Skär upp revbenen i bitar och håll över extra sås om så önskas.

BBQ PULLED PORK Räcker till 3-4 personer

1 kg fläskfilé, putsad eller med fett

600ml barbecuesås

1-1½ hackade lökar

3-4 hamburgerbröd eller småfranskor

1. Lägg fläskfilén i Crock-Pot® låghastighetskokare. Täck med lök och barbecuesås.
2. Lägg på locket och tillaga på läget Low (Låg) i 8 timmar eller på High (Hög) i 4 timmar, eller tills köttet är mört.
3. Ta ur köttet från Crock-Pot® låghastighetskokare och strimla det med en gaffel. Lägg tillbaka köttet i Crock-Pot® låghastighetskokare och täck med sås.
4. Servera det dragna fläsket på hamburgerbröd eller småfranskor.

BEEF BOURGUIGNON Räcker till 3-4 personer

Vetemjöl

Havssalt och peppar

700g grytkött, skuret i 2,5 cm stora bitar

1½ stora morötter, skalade och skivade

½ medelstor skivad lök

3 bitar stekt bacon, skurna i 2,5 cm stora bitar

150ml köttbuljong

240ml rött vin eller Bourgognevin

7-8g tomatpuré

1 hackad vitlöksklyfta

1½ kvistar färsk timjan med stjälk

1 lagerblad

225g färska champinjoner, skivade

1. Täck köttet med vetemjålet kryddat med salt och peppar. Bryn köttet i en stekpanna på spisen (ej obligatoriskt).
2. Lägg köttet i Crock-Pot® låghastighetskokare och tillsätt resten av ingredienserna.
3. Lägg på locket och tillaga på läget Low (Låg) i 8-10 timmar eller på High (Hög) i 6 timmar, eller tills köttet är mört.

GRILLAD KYCKLING MED CITRON OCH ÖRTER Räcker till 4-6 personer

1.5kg stekkyckling
1 liten hackad lök
Smör
Juice från en citron
2.5g havssalt
15g färsk persilja
5g torkad timjan
2.5g paprikapulver
100ml vatten eller buljong

1. Stoppa in löken i kycklingen och gnid in skinnet med smör. Lägg kycklingen i Crock-Pot® låghastighetskokare.
2. Pressa citronjuice över kycklingen och strö över resten av kryddorna. Lägg på locket och tillaga på läget Low (Låg) i 8-10 timmar eller på High (Hög) i 4 timmar.

KYCKLING CACCIATORE Räcker till 2-4 personer

1-1½ tunt skivade lökar
500g kyckling (bröst eller lår) utan skinn
1 burk plommotomater (cirka 200 g), hackade
2 hackade vitlöksklyftor
200ml torrt vitt vin eller buljong
15g kapis
10 urkärnade grovt hackade Kalamataoliver
½ knippe grovt hackad färsk persilja eller basilika, med stjälk
Havssalt och peppar
Kokt pasta

1. Lägg den skivade löken i Crock-Pot® låghastighetskokare och täck med kycklingen.
2. Rör ihop tomat, salt, peppar, vitlök och vitt vin i en skål. Häll blandningen över kycklingen.
3. Lägg på locket och tillaga på läget Low (Låg) i 6 timmar eller på High (Hög) i 4 timmar, eller tills kycklingen är mör.
4. Rör i kapis, oliver och örter strax innan servering.
5. Servera över kokt pasta.

Observera: Om man använder kyckling med ben kommer tillagningstiden att öka med 30 minuter till 1 timme.

CHILE CON CARNE Räcker till 3-4 personer

1 stor hackad lök
2-3 hackade vitlöksklyftor
1 hackad grön paprika
500g köttfärs, stekt och avrunnen
400g röda bönor på burk, sköljda och avrunna
200g tärnade tomater, konserverade
1 jalapeño, urkärnade och hackade
7-8g tomatpuré
2.5g cayennepeppar
100ml köttbuljong

1. Lägg alla ingredienser i Crock-Pot® låghastighetskokare.
2. Lägg på locket och tillaga på läget Low (Låg) i 8-9 timmar eller på High (Hög) i 4 timmar.

GRYKSTEK Räcker till 3-5 personer

800g - 1kg grytkött av nö

1½ skivade lökar

Vetemjöl

1 stjälk selleri, skivad

Havssalt och peppar

120g champinjoner, skivade

1½ skivade morötter

120ml köttbuljong eller vin

1½ potatisar, delade i fyra bitar

1. Täck steken med drygt 1 dl mjöl, salt och peppar. Bryn steken i en stekpanna på spisen (ej obligatoriskt).
2. Lägg alla grönsaker utom champinjonerna i Crock-Pot® låghastighetskokare. Tillsätt steken och lägg champinjonerna ovanpå denna. Håll i vätskan.
3. Lägg på locket och tillaga på läget Low (Låg) i 10 timmar eller på High (Hög) i 6 timmar, eller tills köttet är mört.

KÖTTGRYTA Räcker till 3-4 personer

500 - 600g grytkött av nö, skuret i 2,5 cm stora bitar

Vetemjöl

Havssalt och peppar

350ml köttbuljong

7.5ml Worcestershiresås

1½ hackade vitlöksklyftor

1 lagerblad

3 små potatisar, delade i fyra bitar

1-1½ hackade lökar

1½ skivade selleristjälkar

1. Strö vetemjöl, salt och peppar över köttet. Lägg köttet i Crock-Pot® låghastighetskokare.
2. Tillsätt resten av ingredienserna och rör om ordentligt.
3. Lägg på locket och tillaga på läget Low (Låg) i 8-10 timmar eller på High (Hög) i 6 timmar, eller tills köttet är mört. Rör om ordentligt innan servering.

LÄTTLAGAD NYTTIG FISKFILÉ Räcker till 2-3 personer

Havssalt och peppar

500 g vit fisk, utan skinn

Färska örter (slätbladig persilja, basilika, dragon, kyndel eller en blandning av samtliga dessa örter)

1-1½ tunt skivade citroner

Färdig salsa eller olivtapenade som garnering

1. Salta och peppra bägge sidor av fisken och lägg i Crock-Pot® låghastighetskokare. Täck fiskens ovsida med örter och citronskivor och stick även under några under fisken.
2. Lägg på locket och tillaga på läget High (Hög) i cirka 30-40 minuter eller tills fisken inte längre är genomskinlig. Tillagningstiden kan variera beroende på hur tjock fisken är.
3. Ta bort citronskivorna och toppa med salsa eller tapenade.

GARANTI

Spara ditt kvitto, vilket krävs vid reklamation under garantitiden.

Den här produkten garanteras i 2 år efter ditt inköp enligt beskrivningen i det här dokumentet.

Om det osannolika skulle inträffa under garantiperioden, att apparaten slutar fungera på grund av konstruktions- eller tillverkningsfel, ska du ta den med till inköpsplatsen tillsammans med kvittot och en kopia av garantin.

Rättigheter och förmåner i den här garantin gäller utöver dina lagstiftade rättigheter, som inte påverkas av garantin. Endast Jarden Consumer Solutions (Europe) Limited ("JCS (Europe)") har rätt att ändra villkoren.

JCS (Europe) åtar sig att utan kostnad reparera eller byta ut apparaten eller en del av apparaten som inte fungerar ordentligt under garantiperioden, under förutsättning att:

- du omedelbart meddelar inköpsstället eller JCS (Europe) om problemet.
- Apparaten inte har ändrats på något sätt eller har utsatts för skador, missbruk, felaktig användning, reparation eller modifieringar av en person annat än en person som är auktoriserad av JCS (Europe).

Garantin täcker inte fel som inträffar på grund av felaktig användning, skador, missbruk, användning med felaktigt spänning, naturfenomen, händelser som JCS (Europe) inte kan kontrollera, reparation eller ändringar av person annat än en person som är auktoriserad av JCS (Europe) eller försummelse att följa bruksanvisningen. Slitage vid normal användning täcks inte heller av garantin, inklusive, men inte begränsat till, mindre missfärgningar och repor. Rättigheterna i den här garantin gäller endast den ursprungliga köparen och avser inte kommersiellt eller offentligt bruk.

Om din apparat innefattar en landsspecifik garanti eller garantibilaga, ska du läsa villkoren i den garantin i stället för den här garantin eller kontakta din lokala auktoriserade försäljare för mer information.

Denna symbol betyder att produkten inte får kastas bland hushållssopor men skall bortscaffas separat inom EU. För att skydda miljön och människors hälsa från okontrollerad bortscaffning av sopor som innehåller farliga ämnen skall produkten återvinnas. Var god lämna in apparaten på en samlingsplats för elektriska apparater eller kontakta återförsäljaren. Denne kan omhänderta apparaten för säker återvinning.



Jarden Consumer Solutions (Europe) Limited
5400 Lakeside
Cheadle Royal Business Park
Cheadle
SK8 3GQ
UK

SUOMI

TÄRKEITÄ TURVAOHJEITA

Lue tämä käyttöohje huolellisesti ennen laitteen käyttöä, sillä vain oikea käyttö takaa parhaat tulokset. Säilytä ohjeet myöhempää tarvetta varten.

Kahdeksan vuotta täyttäneet lapset, fyysisesti tai henkisesti vammaiset, aistivammaiset ja riittävää kokemusta tai tietämystä vailla olevat saavat käyttää laitetta, jos heitä on ohjattu tai opastettu laitteen turvallisessa käytössä ja jos he ymmärtävät sen käyttöön liittyvät riskit. Laitetta ei ole tarkoitettu lasten leikkikaluksi. Laitteen puhdistusta ja huoltoa ei saa jättää lapsen tehtäväksi ilman aikuisen valvontaa.

Jos laitteen virtajohto vaurioituu, se on turvallisuussyistä vaihdettava valmistajan, valtuutetun huoltoedustajan tai muun pätevän henkilön toimesta.

- ⚠ Jätä laitteen yläpuolelle ja kaikille sivuille riittävästi tilaa, jotta ilma pääsee kiertämään. Laite ei saa käytön aikana koskea mihinkään tulenarkoihin materiaaleihin (kuten verhoihin tai seinänpäällysteisiin). Laitetta ei saa käyttää seinäkaappien alla.
- ⚠ Katkaise laitteesta käytön jälkeen virta ja irrota virtajohdon pistoke pistorasiasta ennen laitteen puhdistamista.
- ⚠ Anna laitteen jäähtyä aina, ennen kuin puhdistat laitetta tai laitat sitä säilytykseen.
- ⚠ Ole erittäin varovainen siirtäessäsi laitetta, kun se sisältää kuumaa ruokaa tai kuumaa nestettä.
- ⚠ Vältä äkkinäisiä lämpötilan muutoksia, kuten jäähdytettyjen ruokien lisäämistä kuumennettuun pataan.
- ⚠ Laitetta ei saa käyttää, jos se on päässyt putoamaan, jos siinä näkyy vaurioita tai jos se vuotaa.
- ⚠ Laitetta saa käyttää vain sen aiottuun käyttötarkoitukseen. Laite on tarkoitettu vain kotitalouskäyttöön. Laitetta ei ole tarkoitettu ulkokäyttöön.
- ⚠ Älä koskaan kasta laitetta tai sen virtajohtoa ja pistoketta veteen tai muuhun nesteeseen.
- ⚠ Älä koskaan anna laitteen virtajohdon roikkua pöydän reunan yli, koskettaa kuumaa pintaa, päästä takertumaan tai joutua solmulle tai puristuksiin.
- ⚠ Laitetta ei saa laittaa kuumille pinnoille (kuten kaasu- tai sähköhellalle) tai sellaisten läheisyyteen.
- ⚠ Älä koske laitteen ulkopintoihin käytön aikana, sillä ne voivat olla erittäin kuumia. Käytä uunikintaita tai pannulappuja, kun avaat laitteen kantta. Varo ulostulevaa höyryä, kun avaat laitteen kantta.
- ⚠ Älä koskaan käytä laitetta, jos se on tyhjä, jos kansi ei ole kunnolla paikoillaan tai jos kansi on säröillä tai muuten vaurioitunut.
- ⚠ Älä aseta keraamista pataa millekään lämpöherkälle alustalle. Aseta pata aina pannunalustalle tai eristetylle suojukselle.
- ⚠ Ole varovainen, kun asetat padan suoraan herkälle tai kiillotetulle pinnalle. Padan pohja on hiomaton, joten se voi aiheuttaa naarmuja tai muita jälkiä. Suosittelemme suojaavan pehmusteen käyttöä padan alla herkkien pintojen suojaamiseksi.

LAITETTA SAA KÄYTTÄÄ VAIN SEN AIOTTUUN KÄYTTÖTARKOITUKSEEN. LAITE ON TARKOITETTU VAIN KOTITALOUSKÄYTTÖÖN.

ENNEN ENSIMMÄISTÄ KÄYTTÖKERTAA

Ennen haudutuskeittimen käyttöönottoa poista kaikki pakkausmateriaalit, pese kansi ja keitinastia lämpimällä saippuavedellä ja kuivaa täysin.

VAROITUS: Älä aseta keraamista pataa millekään lämpöherkälle alustalle. Aseta pata aina pannunalustalle tai eristetyille suojukselle.

Ole varovainen, kun asetat padan suoraan herkälle tai kiillotetulle pinnalle. Padan pohja on hiomaton, joten se voi aiheuttaa naarmuja tai muita jälkiä. Suosittelemme suojaavan pehmusteen käyttöä padan alla herkkien pintojen suojaamiseksi.

CROCK-POT®-HAUDUTUSKEITTIMEN OSAT

- | | | | |
|----------|------------------|----------|--|
| A | Lasikansi | F | Ajastimen näyttö |
| B | Keraaminen pata | G | Lämpötilan valintapainike |
| C | Kuumennusjalusta | H | Ajastimen ajan lisäys- ja vähennyspainikkeet |
| D | Ohjauspaneeli | I | Valmiustilapainike |
| E | Kantokahva | J | Virtajohto (ei näy) |

HAUDUTUSKEITTIMEN KÄYTTÄMINEN

1. Aseta keitinastia lämmitysjalustaan, lisää ruoka-ainekset astiaan ja laita kansi päälle. Kytke Crock-Pot®-haudutuspadan virtajohto pistorasiaan.
2. Valitse lämpötila-asetus lämpötilan valintapainikkeella (**G**). Joko korkean lämpötilan (SS) tai matalan lämpötilan (SS) merkivalo syttyy.
HUOMAUTUS: Lämpimänäpitoasetus (SS) on tarkoitettu VAIN jo kypsennettyjen ruokien pitämiseen lämpimänä. ÄLÄ valmista ruokaa lämpimänäpitoasetuksella. Emme suosittele käyttämään lämpimänäpitoasetusta yli 4 tunnin ajan.
3. Valitse valmistusaika ajan lisäys-/vähennyspainikkeilla (**H**). Ajan voi määrittää 30 minuutin askelvälein enintään 20 tuntiin. Valitse aika reseptissä mainitun valmistusajan mukaisesti. Ajastin alkaa laskea aikaa alaspäin yhden minuutin välein.
4. Kun valmistusaika on kulunut, haudutuspata siirtyy automaattisesti lämpimänäpitoasetukselle, jonka merkivalo (SS) tällöin syttyy.
5. Lopeta haudutus painamalla valmiustilan painiketta (**I**). Jatka haudutusta yllä olevia vaiheita 2 ja 3 noudattamalla. KATKAISE haudutuspadan virta irrottamalla virtajohto pistorasiasta.

HUOMAUTUS:

- Jos keittämisen aikana tapahtuu sähkökatko, yksikkö on poissa päältä sähköjen palaututtua. Kaikki haudutuskeittimen asetukset tyhjentyvät ja ne on asetettava uudelleen. Ruoka on kuitenkin saattanut pilaantua sähkökatkon aikana. Jos et ole varma sähkökatkon kestoajasta, suosittelemme ruoan pois heittämistä.
- Voit halutessasi vaihtaa lämpimänäpitoasetukselle manuaalisesti, kun reseptin valmistusaika on kulunut.
- Vältä yli- tai alikypsennys täyttämällä keraaminen pata aina $\frac{1}{2}$ – $\frac{3}{4}$ täyteen ja noudattamalla suositeltuja valmistusaikoja.
- Älä täytä keitinastiaa liian täyteen. Täytä astia korkeintaan $\frac{3}{4}$ täyteen, jotta ruoka ei pääse läikkyään reunan yli.
- Kypsennä ruoka aina kansi suljettuna ja suositusten mukaisen kypsennysajan. Älä poista kantta ensimmäisten kahden tunnin aikana, jotta lämpö pääsee kasvamaan tehokkaasti.
- Käytä aina patalappuja kantta tai astiaa käsitellessäsi.
- Irrota pistoke pistorasiasta keittämisen lopussa ja ennen puhdistusta.
- Irrotettava keitinastia on uunin- ja mikroaaltouuninkestävä. Älä käytä irrotettavaa keitinastiaa kaasui- tai sähkölieden levyllä tai parilan alla.

HAUDUTUSKEITTIMEN PUHDISTUS

- Haudutuspadan virtajohto on AINA irrotettava pistorasiasta ja laitteen on annettava jäähtyä ennen sen puhdistamista.
- Haudutuspadan kansi ja kivikeramiikka-astia voidaan pestä astianpesukoneessa tai kuumalla saippuavedellä. Älä käytä hankaavia aineita tai hankaustyynyjä. Lika irtoaa yleensä hyvin rätillä, sienellä tai muovisella lastalla.
- Muiden keraamisten astioiden tapaan myöskään kivikeraaminen keitinastia ja kansi eivät kestä äkillisiä lämpötilanvaihteluita. Älä pese kuumaa keitinastiaa tai kanta kylmällä vedellä.
- Lämmitysjalustan ulkopuoli voidaan puhdistaa pehmeällä kankaalla ja lämpimällä saippuavedellä.
- Pyyhi kuivaksi. Älä käytä hankaavia puhdistusaineita.
- VAROITUS: Älä koskaan upota lämmitysjalustaa veteen tai mihinkään muuhun nesteeseen.
- Muita huoltotoimia ei tule suorittaa.

HUOMAA: Puhdistamisen jälkeen anna keitinastian ilmakuivata ennen varastointia.

VIHJEITÄ JA VINKKEJÄ

PASTA JA RIISI:

- Jos resepti edellyttää nuudeliin, makaronin tms. lisäämistä, keitä niitä tavallisella liedellä, kunnes ne ovat pehmenneet hieman. Lisää ne haudutuspataan valmistusajan 30 viimeisen minuutin aikana. Jos käytät riisiä, sekoita se muiden aineiden joukkoon ja lisää $\frac{1}{4}$ lisäkupillista nestettä jokaista $\frac{1}{4}$ riisikupillista kohti. Pitkäjyväinen riisi sopii käyttöön parhaiten.

PAVUT:

- Papujen on annettava pehmentyä täysin ennen niiden lisäämistä sokeriin ja/tai happamiin ruokiin. Sokeri ja hapot kovettavat papuja ja estävät niitä pehmentymästä.
- Kuivat pavut, etenkin tarhapavut, on keitettävä ennen niiden lisäämistä ruokaohjeeseen.
- Kuivapavut voidaan korvata keitetyillä tölkkipavuilla.

VIHANNEKSET:

- Monien vihannesten paras maku pääsee esiin haudutus kypsennyksessä. Vihannekset eivät tule ylikypsiksi, kuten perinteisellä liedellä tai uunissa.
- Jos ruokaohje sisältää sekä lihaa että vihanneksia, laita vihannekset haudutuskeittimeen ennen lihaa. Vihannekset kypsyvät yleensä lihaa hitaammin haudutuskeittimessä.
- Sijoita vihannekset keitinastian sivuille tai pohjalle kypsennyksen helpottamiseksi.

YRITIT JA MAUSTEET:

- Tuoreet yrittit lisäävät makua ja väriä ruokaan, mutta ne tulee lisätä ruoan valmistuksen loppuvaiheessa, koska niiden maku hiipuu pitkään kypsennettäessä.
- Jauhetut ja/tai kuivatut yrittit ja mausteet soveltuvat hyvin hauduttamiseen ja ne voidaan lisätä alkuvaiheessa.
- Kaikkien yrttien ja mausteiden maustamisvoima voi vaihdella suuresti mausteiden voimakkuuden ja säilytysajan mukaan, joten suosittellemme aina, että maustat ruoat juuri ennen tarjoilamista.

MAITO:

- Maito, kerma ja hapankerma hajoavat pitkään kypsennettäessä. Siksi ne kannattaa lisätä vasta viimeisten 15-30 minuutin aikana.
- Ne voidaan korvata keittotiivisteillä, joita voidaan kypsennää pitkiä aikoja.

KEITOT:

- Joidenkin keittojen ruokaohjeet sisältävät suuria määriä vettä. Pane ensin muut ainekset keitinastiaan ja lisää sitten tarpeeksi vettä niiden peittämiseksi. Jos haluat juoksempaa keittoa, lisää enemmän nestettä tarjoiluvaiheessa.

LIHA:

- Poista lihoista rasvat, huuhtelee ne hyvin ja taputtele liha kuivaksi paperipyyhkeillä.
- Jos lihat ovat rasvaisia, ruskista erillisessä pannussa tai grillissä ja valuta rasva huolellisesti astiasta ennen

haudutuskeittimessä kypsentämistä. Tämä myös lisää syvyyttä makuun.

- Aseta liha keitinastiaan siten, että se ei kosketa kantaa.
- Lihan koosta riippuen voit muuntaa vihannesten tai perunoiden määrää siten, että keitinastian täyttöaste on aina ½ tai ¾.
- Lihan määrä ja suositellut kypsennysajat ovat vain arvioita ja saattavat vaihdella lihapalan laadun, tyyppin ja luun rakenteen perusteella. Vähärasvaiset lihat kuten kananliha tai porsaan ulkofilee kypsyvät yleensä nopeammin kuin lihat, jotka sisältävät enemmän sidekudosta ja rasvaa, kuteni nautanpaisti tai porsaanlapa. Lihan kypsentäminen luun kanssa vaatii pidemmän kypsennysajan.
- Leikkaa liha pienempiin paloihin, kun kypsennät sitä esikeitettujen ruokien kuten papujen tai hedelmien kanssa tai kevyiden vihannesten kuten sienien, pilkottujen sipulien, munakoison tai hienoksi pilkottujen vihannesten kanssa. Näin kaikki ruoat kypsyvät samaan tahtiin.
- Pakastettua lihaa keittäessä on lisättävä ainakin 2,4 dl lämmintä nestettä. Neste toimii "puskurina" estäen äkilliset lämpötilanvaihtelut. Tavallisesti tarvitaan 4 tuntia lisälämmitystä alhaisella asetuksella tai 2 tuntia korkealla asetuksella. Jos pakastetut lihapalaset ovat suuria, niiden sulattaminen ja kypsentäminen voi viedä huomattavasti kauemmin.

KALA:

- Kala kypsenty nopeasti ja tulisi lisätä vasta ruoan valmistuksen loppuvaiheessa, kun ruoan valmistumiseen on aikaa enää 15 - 60 minuuttia.

NESTE:

- Parhaat tulokset saadaan ja ruoan kuivuminen tai palaminen estetään varmistamalla, että ruokaohjeessa käytetään tarpeeksi nestettä.
- Reseptimme saattavat vaikuttaa siltä, että niissä käytetään liian vähän nesteitä. Hidas kypsennys kuitenkin eroaa muista valmistustavoista siinä, että reseptin mukaisesti lisätyn nesteen määrä lähes kaksinkertaistuu valmistuksen aikana. Jos siis haluat muokata omaa reseptiä haudutuspataa varten, käytä vähemmän nesteitä kuin tavallisesti.

RUOKAOHJEITA MALLIKSI

PORSAANKYLKI 3–5 annosta

2–3 porsaan kylkiriviä, jokainen leikattuna 3-4 palaan

600ml grillikastiketta

1-1½ paloiteltua sipulia

1. Aseta kyljet Crock-Pot®-haudutuskeittimeen. Laita sipuli ja grillikastike niiden päälle.
2. Peitä kannella ja kypsennä alhaisella asetuksella 8 tuntia tai korkealla asetuksella 4 tuntia, tai siihen asti kunnes liha on mureaa.
3. Tarjoilua varten paloittele liha leikkaamalla luiden välistä ja lisää kastiketta haluttu määrä.

RIIVITTYÄ BARBECUE-PORSASTA 3–4 annosta

1 kg porsaanlapaa, josta on poistettu rasva

600ml grillikastiketta

1–1½ paloiteltua sipulia

3-4 hampurilaissämpylää tai muuta sämpylää

1. Aseta porsaanliha Crock-Pot®-haudutuskeittimeen. Laita sipuli ja grillikastike päälle.
2. Peitä kannella ja kypsennä alhaisella asetuksella 8 tuntia tai korkealla asetuksella 4 tuntia, tai siihen asti kunnes liha on mureaa.
3. Poista porsaanliha Crock-Pot®-haudutuskeittimestä ja revi suikaleiksi haarukalla. Laita liha takaisin Crock-Pot®-haudutuskeittimeen ja kaada kastike päälle.
4. Tarjoile porsaanliha sämpylän välissä.

BURGUNDINPATA 3-4 annosta

Jauhoja

Merisuolaa ja pippuria

700g naudanpaistia, 2,5 cm:n kuutioiksi leikattuna

1½ suurta kuorittua ja viipaloitua porkkanaa

½ keskikokoinen viipaloitu sipuli

3 paistettua pekoninviipaleita, 2,5 cm:n paloiksi leikattuna

150ml lihalientä

240ml punaviiniä tai burgundinviiniä

7-8g tomaattipyrettä

1 murskattua valkosipulinkynttä

½ oksaa tuoretta timjampia, varsi poistettu

1 laakerinlehti

225g tuoreita viipaloituja sieniä

1. Kuorruta liha jauhoilla, joihin on sekoitettu suola ja pippuri. Ruskista liha keittolevyllä paistinpannussa (valinnaista).
2. Laita liha Crock-Pot® -haudutuskeittimeen ja lisää muut ainekset.
3. Peitä kannella ja kypsennä alhaisella asetuksella 8–10 tuntia tai korkealla asetuksella 6 tuntia, tai siihen asti kunnes liha on mureaa.

SITRUUNA-YRTTIKANA 4-6 annosta

1.5kg kokonainen kana

1 pieni sipuli, silputtua

Voita

Yhden sitruunan mehu

2.5g merisuolaa

15g tuoretta persiljaa

5g kuivattua timjampia

Ripauksen paprika

100ml vettä tai lihaliemi

1. Laita sipuli kanan sisälle ja hiero nahkaa voilla. Aseta kana Crock-Pot®-haudutuskeittimeen.
2. Purista sitruunamehua kanan päälle ja ripottele loput mausteet päälle. Peitä kannella ja kypsennä alhaisella asetuksella 8-10 tuntia tai korkealla asetuksella 4 tuntia.

METSÄSTÄJÄN KANA 2-4 annosta

1–1½ ohuesti viipaloitua sipulia

500g nahatonta kananrintaa tai -reisiä

200g pilkottuja tölkkiluumutomaatteja

2 murskattua valkosipulin kynttä

200ml kuivaa valkoviiniä tai lientä

15g kapriksia

10 kivetöntä Kalamata-oliivia, karkeasti pilkottuna

½ nippu persiljaa tai basilikaa, josta on poistettu varret ja joka on karkeasti pilkottu

Merisuolaa ja pippuria

Keitettyä pastaa

1. Aseta viipaloitu sipuli Crock-Pot®-haudutuskeittimeen ja peitä se kananlihalla.
2. Sekoita kulhossa tomaatit, suola, pippuri, valkosipuli ja valkoviini. Kaada sekoitus kananlihan päälle.
3. Peitä kannella ja kypsennä alhaisella asetuksella 6 tuntia tai korkealla asetuksella 4 tuntia, tai siihen asti kunnes kananliha on mureaa.
4. Juuri ennen tarjoilua sekoita mukaan kaprikset, oliivit ja yritt.
5. Tarjoile keitetyn pastan kanssa
Huomaa: Kananlihan kypsentyminen luun kanssa lisää kypsennysaikaa noin 0,5-1 tuntia.

CHILI 3–4 annosta

1 pieni sipuli paloitellaan
2-3 murskattua valkosipulin kynttä
1 vihreä paprika paloitellaan
500g jauhelihaa
400g punaisia tölkkipapuja, jotka on huuhdeltu ja valutettu
200g kuutioituja tölkkitomaatteja
1 pilkkottua jalopenoa, joista on poistettu siemenet
7-8g tomaattipyrettä
2.5g cayennepippuria
100ml lihalientä

1. Lisää kaikki ainekset Crock-Pot®-haudutuskeittimeen.
2. Peitä kannella ja kypsennä alhaisella asetuksella 8-9 tuntia tai korkealla asetuksella 4 tuntia.

PATAPAISTI 3–5 annosta

800g - 1kg naudan luutonta etuselkää
1½ viipaloitua sipulia
Jauhoja
1 viipaloitua sellerinvartta
Merisuolaa ja pippuria
120g viipaloituja sienä
1½ viipaloitua porkkanaa
120ml lihalientä tai viiniä
1½ perunaa paloitetuna neljään osaan

1. Kuorruta paistiliha 120 grammalla jauhoja, suolaa ja pippuria. Ruskista liha keittolevyllä paistinpannussa (valinnaista).
2. Laita kaikki vihannekset Crock-Pot®-haudutuskeittimeen, paitsi sienet. Lisää liha ja levitä sienet päälle. Kaada neste astiaan.
3. Peitä kannella ja kypsennä alhaisella asetuksella 10 tuntia tai korkalla asetuksella 6 tuntia, tai siihen asti kunnes liha on mureaa.

NAUDANPATA 3–4 annosta

500 - 600g naudan luutonta etuselkää, 2 cm:n paloina
Jauhoja
Merisuolaa ja pippuria
350ml lihalientä
7.5ml Worcestershire-kastiketta
1½ murskattua valkosipulin kynttä
1 laakerinlehteä
3 pientä perunaa, neljään osaan leikattuna
1-1½ paloitetua sipulia
1½ viipaloitua sellerinvartta

1. Sirottele jauhot, suola ja pippuri lihan päälle. Aseta liha Crock-Pot® -haudutuskeittimeen.
2. Lisää muut ainekset ja sekoita hyvin.
3. Peitä kannella ja kypsennä alhaisella asetuksella 8-10 tuntia tai korkealla asetuksella 6 tuntia tai siihen asti kunnes liha on mureaa. Sekoita hyvin ennen tarjoilua.

HELPPO JA TERVEELLINEN KALAFILE 2-3 annosta

Merisuolaa ja pippuria

500 g valkoihaista kalaa, josta on poistettu nahka

Tuoreita yrtejä (sileälehtinen persilja, basilika, rakuuna, kynteli tai näiden yhdistelmä)

1-1½ ohuesti viipaloitua sitruunaa

Koristeeksi valmista salsaa tai oliivitapenadia

1. Laita suolaa ja pippuria kalan molemmille puolille ja aseta se Crock-Pot®-haudutuskeittimeen. Peitä kala yrteillä ja sitruunanviipaleilla ja laita niitä myös kalan alle.
2. Peitä kannella ja kypsennä korkealla asetuksella 30-40 minuuttia, tai kunnes kala ei ole enää läpikuultava. Kypsennysajat vaihtelevat kalan paksuudesta riippuen.
3. Poista sitruunanviipaleet ja laita päälle salsaa tai tapenadia.

TAKUU

Säilytä kuitti, koska tarvitset sitä mahdollisia takuuvaateita varten.

Tuotteella on 2 vuoden takuu. Takuuajan lasketaan alkavan ostohetkellä.

Jos laite ei tämän takuuajan jälkeen enää toimi suunnittelu- tai valmistusvirheen johdosta, palauta se ostopaikkaan kuitin ja takuutodistuksen kopion kanssa.

Tämän takuun myöntämät oikeudet ja edut myönnetään lakisääteisten oikeuksiesi lisäksi, eikä takuu vaikuta kyseisiin lakisääteisiin oikeuksiin. Vain Jarden Consumer Solutions (Europe) Limited ("JCS (Europe)") -yrityksellä on oikeus muuttaa näitä takuuetoja.

JCS (Europe) sitoutuu määritettynä takuuajanjaksona korjaamaan tai vaihtamaan uuteen laitteeseen veloituksetta minkä tahansa viallisen laitteen osan seuraavien ehtojen täytyessä:

- Ostopaikalle tai JCS (Europe)lle ilmoitetaan ongelmasta heti; ja
- Laitteita ei ole muutettu mitenkään tai kohdeltu kaltoin tai vahingoitettu eikä sen korjaukseen tai muutostöihin ole osallistunut muita kuin JCS (Europe)in valtuuttamia henkilöitä.

Takuu ei kata virheellisestä käytöstä, vahingoittumisesta, laitteen kohtelemisesta väärin, laitteen väärällä jännitteellä käyttämisestä, luonnonmullistuksista, muista asioista, joihin JCS (Europe)lla ei ole vaikutusvaltaa, muun kuin JCS (Europe)in valtuuttaman henkilön tekemistä korjaus- tai muutostöistä tai ohjeiden noudattamatta jättämisestä aiheutuvia ongelmia. Lisäksi takuu ei kata tavallista kulumista, muun muassa pieniä värin muutoksia tai naarmuja.

Tässä takuussa myönnetty oikeudet koskevat vain alkuperäistä ostajaa eivätkä ne ulotu kaupalliseen tai yhteisölliseen käyttöön.

Jos laitteella on maakohtainen takuu, käytä kyseisen takuun ehtoja tämän takuun sijasta tai pyydä lisätietoja paikalliselta valtuutetulta jälleenmyyjältä.

Tämä merkki osoittaa, että tuotetta ei saa hävittää kotitalousjätteen mukana, vaan se on kierrätettävä asianmukaisesti koko EU:n alueella. Tuote saattaa sisältää ympäristölle ja terveydelle vaarallisia aineita, mistä syystä se on kierrätettävä asianmukaisesti, ja materiaalia on käytettävä uudelleen mahdollisuuksien mukaan luonnonvarojen säästämiseksi. Kun on tullut aika hävittää laite, käytä asianmukaista kierrätysjärjestelmää tai palauta laite ostopisteeseen. Myyjä toimittaa laitteen asianmukaisesti kierrätysjärjestelmään.



Jarden Consumer Solutions (Europe) Limited

5400 Lakeside

Cheadle Royal Business Park

Cheadle

SK8 3GQ

UK

DANSK

VIGTIGE ANVISNINGER

Læs og gem denne vejledning.

Dette produkt må anvendes af børn på 8 år og derover, samt personer med fysiske, sansemæssige eller mentale handicap eller manglende erfaring og viden, såfremt vedkommende er under opsyn eller har modtaget anvisninger i forsvarlig brug af apparatet, og vedkommende forstår farerne i forbindelse med brugen. Børn må ikke lege med apparatet. Rengøring og vedligeholdelse må ikke foretages af børn uden opsyn.

Hvis strømkablet eller stikket er i stykker, skal det udskiftes af producenten eller dennes serviceagent eller en person, der er tilsvarende kvalificeret, for at undgå risiko.

- ⚠ Sørg for tilstrækkelig plads til luftcirkulation over og rundt om til alle sider. Sørg for, at apparatet ikke kommer i berøring med brandbare materialer under brug (som fx gardiner eller vægbeklædninger). Må ikke bruges under et vægskab.
- ⚠ Sørg for, at apparatet er slukket, og at stikket er trukket ud af stikkontakten, inden apparatet rengøres.
- ⚠ Lad altid apparatet køle ned inden rengøring eller opbevaring.
- ⚠ Vær yderst varsom, når apparatet flyttes, mens det indeholder varm mad eller varm væske.
- ⚠ Undgå pludselig temperaturskift, som fx hvis der tilføjes afkølet mad til en opvarmet gryde.
- ⚠ Undlad at bruge apparatet, hvis det er blevet tabt, eller hvis det bærer synlige tegn på skader eller lækager.
- ⚠ Brug aldrig dette apparat til andet, end det er beregnet til. Dette apparat er kun beregnet til husholdningsbrug. Brug ikke apparatet uden døre.
- ⚠ Nedsænk aldrig nogen del af apparatet eller ledningen og stikket i vand eller nogen anden væske.
- ⚠ Lad aldrig ledningen hænge ud over kanten af et bord, komme i kontakt med varme overflader, slå knuder eller komme i klemme.
- ⚠ Apparatet må ikke stilles på eller i nærheden af potentielt varme overflader (f.eks. kogeplader).
- ⚠ Undlad at røre ved apparatets ydersider under brug, da de kan blive meget varme. Brug en grillhandske eller viskestykke, når du tager låget af. Pas på dampen, der undslipper, når låget løftes.
- ⚠ Apparatet må aldrig bruges, når det er tomt eller uden låget sat på, eller hvis låget har revner eller er ødelagt.
- ⚠ Stentøjs gryden må ikke stilles på en overflade, der påvirkes af varme. Stil altid gryden på en trefod eller bordskåner.
- ⚠ Vær forsigtig, når du stiller tilberedningsgryden direkte på sarte eller pudsede overflader, da grydens bund ikke er glaseret og kan forårsage ridser eller andre mærker. Vi anbefaler, at der placeres beskyttende polstring under gryden for at beskytte disse typer overflader.

BRUG ALDRIG DETTE APPARAT TIL ANDET, END DET ER BEREGNET TIL. DETTE APPARAT ER KUN BEREGNET TIL HUSHOLDNINGSBRUG.

ANVISNINGER FØR IBRUGTAGNING

Før du tager din slow cooker i brug, skal du fjerne al emballage og vaske låget og stentøjsgryden med varmt sæbevand og tørre den omhyggeligt.

VIGTIGE BEMÆRKNINGER: Nogle køkkenborde er ikke designet til at modstå den langvarige varme, som nogle apparater skaber. Stil ikke den opvarmede enhed på et behandlet træbord. Vi anbefaler, at du placerer en bordskåner eller trefod under slow cookeren for at forhindre mulig beskadigelse af overfladen.

Vær forsigtig, når du stiller stentøjsgryden på en keramisk eller glat glas kogeplade, køkkenbord, bord eller anden overflade. På grund af stentøjsgrydens karakter vil den ru bund-

overflade muligvis ridse nogle overflader, hvis du ikke er forsigtig. Placer altid beskyttende polstring under stentøjsgrydens, før du sætter den på bordet eller køkkenbordet.

DELE

A	Glaslåg	F	Tidsindstillingsdisplay
B	Stentøjsgryde	G	Temperaturvælgerknap
C	Opvarmningsfod	H	Timer op-/ned-knapper
D	Betjeningspanel	I	Standby-knap
E	Bærehåndtag	J	Ledning (ikke vist)

BEMÆRKNINGER TIL BRUGEN

1. Placer stentøjsgryden på opvarmningsfoden, tilføj dine ingredienser til stentøjsgryden, og læg låget på. Sæt stikket fra din Crock-Pot®-slow cooker i stikkontakten
2. Indstil temperaturen ved hjælp af temperaturvalgknappen (**G**). Høj temperatur-lampen (☀) eller lav temperatur-lampen (☁) tændes.
BEMÆRK: Indstillingen HOLD VARM (🔒) er KUN til at holde mad, der allerede er tilberedt, varmt. Mad MÅ IKKE tilberedes på indstillingen VARM. Vi anbefaler ikke, at VARM-indstillingen bruges i mere end 4 timer.
3. Tryk på timer op-/ned-knapperne (**H**) for at vælge tilberedningstid. Tiden kan indstilles i 30 minutters intervaller op til 20 timer. Vælg tiden baseret på den tid, der angives i opskriften. Tiden begynder at tælle ned med et minut ad gangen.
4. Når tilberedningen er færdig, skifter slow cookeren automatisk til HOLD VARM-indstillingen og hold varm-lampen (☀) tændes.
5. Tryk på standbyknappen (**I**) for at slukke. Følg trin 2 og 3 ovenfor for at tænde igen. Sluk helt for slow cookeren ved at tage stikket ud af stikkontakten.

BEMÆRK:

- Hvis hovedstrømforsyningen er blevet afbrudt (strømafbrydelse), vil displayet og lampene blinke, når strømmen er tilbage igen. Alle slow cookere indstillinger vil være gået tabt. Derfor er maden muligvis ikke sikker at spise. Hvis du ikke er sikker på, hvor længe strømmen har været afbrudt, foreslår vi, at du smider maden i gryden ud.
- Hvis du ønsker det, kan du manuelt slå over til HOLD VARM-indstillingen, når din opskrift er færdiglavet.
- For at undgå at maden bliver stegt for meget eller for lidt, skal du altid fylde stentøjsgryden ½ til ¾ op og overholde de anbefalede stegetider.
- Fyld ikke for meget i stentøjsgryden. Fyld ikke stentøjsgryden mere end ¾ op for at forhindre, at den flyder over.
- Steg altid med låget på i den anbefalede tid. Fjern ikke låget i løbet af de første timers tilberedning, så der skabes varme effektivt.
- Brug altid grillhandsker, når du rører ved låget eller stentøjsgryden.
- Tag stikket ud, når tilberedningen er færdig og før rengøring.
- Stentøjsgryden, der kan tages ud, kan bruges i ovnen. Brug ikke stentøjsgryden, der kan tages ud, på et gasblus, elkomfur eller under grillen.

RENGØRING

- Tag ALTID slow cookerens stik ud af stikkontakten, og lad den køle af inden rengøring.
- Låget og stentøjs gryden kan vaskes i opvaskemaskine eller med varmt sæbe vand. Undlad at bruge slibemidler eller skuresvampe. En klud, svamp eller gummiskrabber er som regel nok til at fjerne madrester. For at fjerne vandpletter og andre pletter kan du bruge et ikke-skurende rengøringsmiddel eller eddike.
- Ligesom fin keramik kan stentøjs gryden og låget ikke tåle pludselige temperaturskift. Stentøjs gryden og låget må ikke vaskes af i koldt vand, når de er varme.
- Opvarmningsfodens yderside kan rengøres med en blød klud og varmt sæbe vand. Tør af. Undlad at bruge slibende rengøringsmidler.
- FORSIGTIG: Opvarmningsfoden må aldrig nedsænkes i vand eller anden væske.
- Du bør ikke udføre andet eftersyn og vedligeholdelse.

BEMÆRK: Når stentøjs gryden er vasket af i hånden, skal den lufttørre, inden den sættes væk.

RÅD OG TIPS

PASTA OG RIS:

- Hvis der ifølge en opskrift skal tilføjes nudler, makaroni osv., skal du koge dette på et almindeligt komfur, indtil det er en lille smule mørt og derefter tilføje det til slow cookeren de sidste 30 minutter af tilberedningstiden. Når du bruger ris, rører du det i sammen med de andre ingredienser og tilføjer ¼ kop ekstra væde for hver ¼ kop ris. Langkornet ris giver bedre resultater.

BØNNER:

- Bønner skal være helt blødt op, før de kombineres med sukkerholdige og eller syreholdige madvarer. Sukker og syre har en hærdende effekt på bønner og vil forhindre opblødning.
- Tørrede bønner, særligt røde kidneybønner, skal koges, før de tilføjes til en opskrift.
- Helkogte bønner på dåse kan bruges i stedet for tørrede bønner.

GRØNTSAGER:

- Langtidstilberedning gavner mange grøntsager, der udvikler deres fulde smag. De bliver ikke kogt for meget i en slow cooker, som det kan ske på komfuret eller i ovnen.
- Når der tilberedes opskrifter med grøntsager og kød, skal du lægge grøntsagerne i slow cookeren før kødet. Grøntsager steger som regel langsommere end kød i slow cookeren.
- Placer grøntsagerne nær stentøjs grydens sider eller bund for at lette tilberedningen.

URTER OG KRYDDERIER:

- Friske urter tilføjer smag og farve, men skal først tilføjes i slutningen af tilberedningscyklussen, idet smagen forsvinder i løbet af lang tilberedningstid.
- Stødtede og/eller tørrede urter og krydderier egner sig godt til langtidstilberedning og kan tilføjes i starten.
- Hvor kraftig urter og krydderiers smag er, kan variere meget afhængigt af deres særlige styrke og holdbarhed. Brug kun lidt krydderi, smag til når retten er færdigt tilberedt og tilføj eventuelt lidt mere krydderi lige inden servering.

MÆLK:

- Mælk, fløde og cremefraiche nedbrydes under langvarig tilberedning. Tilføj det, hvis muligt, de sidste 15-30 minutter af tilberedningstiden.
- Kondenserede supper kan bruges i stedet for mælk og kan koge i lang tid.

SUPPER:

- Nogle opskrifter kræver store mængder vand. Tilføj suppens ingredienser til slow cookeren først, og tilføj derefter vand nok til, at det lige dækker. Hvis du ønsker en tyndere suppe, kan du tilføje mere vand inden servering.

KØD:

- Skær fedtet fra, skyl grundigt og dup kødet tørt med køkkenrulle.
- Hvis kødet brunes på en separat stegepande eller grillpande, skilles fedtet fra før langtidstilberedningen, og det giver kødet en dybere smag.
- Kød skal placeres, så det hviler i stentøjs gryden uden at berøre låget.
- Ved mindre eller større stykker kød justerer du mængden af grøntsager eller kartofler, så stentøjs gryden altid er ½ til ¾ fuld.
- Kødets størrelse og de anbefalede tilberedningstider er kun vejledende og kan variere
- afhængigt af den specifikke udskæring, type og knoglestruktur. Magert kød såsom kylling og svinemørbrad steger som regel hurtigere end kød med mere bindevæv og fedt som fx oksebov eller svineskulder. Tilberedning af kød med ben modsat uden ben vil forøge den nødvendige tilberedningstid.
- Skær kødet i mindre stykker, hvis det tilberedes sammen med tilberedte fødevarer som fx bønner eller frugt eller lette grøntsager som champignoner, hakket løg, aubergine eller fint hakkede grøntsager. På denne måde tilberedes al maden i samme takt.
- Når du tilbereder frossent kød, skal du først tilføje mindst 1 kop varm væde. Væden virker som en "pude", der forhindrer pludseligt temperaturskift. Det vil typisk være nødvendigt med yderligere 4 timer på LAV eller 2 timer på HØJ. Det kan tage væsentligt længere tid, før større stykker frossent kød er tøet op og mørt.

FISK:

- Fisk tilberedes hurtigt og skal tilføjes til sidst i tilberedningscyklussen i de sidste 15 minutter til en time af tilberedningen.

VÆDE:

- For det bedste resultat og for at forhindre, at maden tørrer ud eller brænder på, skal du altid sørge for, at der bruges tilstrækkelig mængde væde i opskriften.
- Det kan se ud som om, at vores opskrifter kun indeholder en lille mængde væde, men langtidstilberedningsprocessen er forskellig fra andre tilberedningsmetoder, idet den tilførte væde i opskriften, næsten fordobles i løbet af tilberedningstiden. Så hvis du tilpasser en opskrift til din slow cooker, skal du reducere væden før tilberedning.

OPSKRIFTER

BABY BACK RIBS 3–5 personer

1 kg svinemørbrad uden fedt

600 ml barbecuesauce

1–1½ løg, hakket

3-4 burgerboller eller bløde boller

1. Læg ribbenene i Crock-Pot®-slow cookeren. Hæld barbecuesauce og løg over.
2. Læg låget på, og steg på lav i 7-9 timer eller på Høj i 4-5 timer, eller indtil kødet er mørt.
3. For at servere skærer du ribbenene mellem benene og dækker dem med ekstra sauce, hvis ønsket.

BBQ SVINEKØD 3–4 personer

1 kg pork loin, trimmet af fat

600ml barbecue sauce

1–1½ onions, chopped

3-4 burger buns or soft rolls

1. Læg svinemørbraden i Crock-Pot®-slow cookeren. Hæld barbecuesauce og løg over.
2. Læg låget på, og steg på Lav i 7–9 timer eller på Høj i 4-5 timer, eller indtil kødet er mørt.
3. Tag svinekødet op fra Crock-Pot®-slow cooker, og træk kødet fra hinanden med to gaffler. Læg svinekødet tilbage i Crock-Pot®-slow cooker, og dæk med sauce.
4. Server BBQ pulled pork på burgerboller eller bløde boller.

BØF BOURGUIGNON 3–4 personer

Mel

Havsalt og peber

700 g skært oksekød skåret i 2,5 cm store tern

1½ stor gulerod, skræillet og skåret i skiver

½ mellemstort løg i skiver

3 strimler bacon skåret i 2,5 cm stykker

150 ml oksekødsbouillon

240 ml rødvin eller bourgognevin

7-8 g tomatpuré

1 hakket fed hvidløg

1½ kvist frisk timian uden stilk

1 laurbærblad

225 g friske champignoner i skiver

1. Rul kødet i mel krydret med salt og peber. Brun kødet i en stegepande på komfuret (valgfrit).
2. Læg kødet i Crock-Pot®-slow cooker og tilføj resten af ingredienserne.
3. Læg låg på, og steg på Lav i 8-10 timer eller Høj i 6 timer, eller indtil kødet er mørt.

STEGT KYLLING MED CITRON OG KRYDDERIER 4–6 personer

1,5 kg hel kylling

1 lille løg

Smør

Saften af 1 citron

2,5 g havsalt

15 g frisk persille

5 g tørret timian

Knivspids paprika

100 ml vand eller bouillon

1. Læg løget i skroget på kyllingen, og gnid skindet med smør. Læg kyllingen i Crock-Pot®-slow cookeren.
2. Pres citronsaft over kyllingen, og drys med resten af krydderierne. Tilføj vandet/bouillon, læg låg på og steg på Lav i 8-10 timer eller Høj i 4 timer.

KYLLING CACCIATORE 2–4 personer

1–1½ fintsnittet løg

500 g kylling (bryst eller lår) uden skind

200 g dåse hakkede flædede tomater

2 fed hakket hvidløg

200 ml tør hvidvin eller bouillon

15 g capers

10 udstenede Kalamata-oliven, groft hakket

Håndfuld frisk persille eller basilikum uden stilk og groft hakket

Havsalt og peber

Kogt pasta

1. Læg skivet løg i Crock-Pot®-slow cookeren, og dæk med kylling.
2. Rør tomater, salt, peber, hvidløg og hvidvin sammen i en skål. Hæld det over kyllingen.
3. Læg låg på, og steg på Lav i 6 timer eller Høj i 4 timer, eller indtil kyllingen er mørt.
4. Rør capers, oliven og krydderurter i lige før servering.
5. Server med kogt pasta.

Bemærk: Hvis du steger kylling med ben i stedet for uden ben, skal du lægge ca. 30 minutter til 1 time til tilberedningstiden.

CHILLI 3–4 personer

1 stort løg, hakket
2-3 fed hvidløg, hakket
1 grøn peber, i tern
500 g hakket oksekød
400 g dåse røde kidneybønner, drænet
200 g dåse hakket tomat
1 chili (valgfri) uden kerner og i tern
7-8 g tomatpuré
2,5 g cayennepeber
100 ml oksekødsbouillon

1. Kom alle ingredienserne i Crock-Pot®-slow cooker.
2. Læg låget på, og steg på Lav i 8–9 timer eller Høj i 4 timer.

GRYDESTEG 3–5 personer

800 g - 1 kg oksebov
1½ løg i skiver
Mel
1 stilk selleri i skiver
Havsalt og peber
120 g champignoner i skiver
1½ gulerod i skiver
120 ml oksekødsbouillon eller vin
1½ kartoffel, skrælet og i kvarter

1. Rul kødet i mel krydret med salt og peber. Brun stegen i en stegepande på komfuret (valgfrit).
2. Læg alle grøntsagerne, bortset fra champignonerne, i Crock-Pot®-slow cooker. Læg stegen i, og spred
3. champignonerne ovenpå. Hæld væde ved.
4. Læg låg på, og steg på Lav i 10 timer eller Høj i 6 timer, eller indtil mørt.

OKSEGRYDE 3–4 personer

500 - 600 g oksebov i tern
Mel
Havsalt og peber
350 ml oksebouillon
7,5 ml Worcestershire sauce
1½ fed hvidløg, hakket
1 laurbærblad
3 små kartofler, skrælet og i kvarter
1-1½ løg, hakket
1½ selleristilk, i skiver

1. Drys mel, salt og peber over kødet. Læg kødet i Crock-Pot®-slow cooker.
2. Tilføj resterende ingredienser og rør godt sammen.
3. Læg låg på, og steg på Lav i 8-10 timer eller Høj i 6 timer, eller indtil kødet er mørt. Rør godt igennem før servering.

LET, SUND FISKEFILET 2–3 personer

500 g hvid fisk (torsk, havaborre el. lign.) uden skind
Friske krydderurter (persille, basilikum, estragon osv.)
1-1½ citron i tynde skiver
Tilberedt salsa eller oliventapenade som garniture

1. Krydder fisken på begge sider med salt og peber, og læg den i Crock-Pot®-slow cooker. Dæk toppen af fisken med krydderurter og citronskiver, og læg nogen under fisken.
2. Læg låg på, og steg på Høj i cirka 30-40 minutter, eller indtil fisken ikke længere er gennemsigtig. Tilberedningstider varierer afhængigt af fiskens tykkelse.
3. Fjern citronskiverne, og server med salsa eller tapenade ovenpå.

GARANTI

Gem kvitteringen. Den skal forevises ved enhver klage under denne garanti.

Der er 2 års garanti på dette apparat efter dit køb som beskrevet i dette dokument.

Hvis det usandsynlige skulle ske i denne garantiperiode, at apparatet ikke længere fungerer på grund af en design- eller fabrikationsfejl, bedes du returnere det til købsstedet sammen med kvitteringen og en kopi af denne garanti.

Rettighederne og fordelene ved denne garanti ligger ud over dine lovbestemte rettigheder, som ikke er påvirket af denne garanti. Det er kun Jarden Consumer Solutions (Europe) Limited ("JCS (Europe)"), der må ændre disse betingelser.

JCS (Europe) påtager sig inden for garantiperioden gratis at reparere eller udskifte apparatet og enhver del af apparatet, der er konstateret ikke at fungere korrekt, forudsat at:

- Du omgående underretter købsstedet eller JCS (Europe) om problemet; og
- Apparatet ikke er blevet ændret på nogen måde eller udsat for beskadigelse, forkert brug, misbrug, reparation eller ændring af en person, der ikke er autoriseret af JCS (Europe).

Fejl, der sker på grund af forkert brug, beskadigelse, misbrug, brug med forkert spænding, force majeure, hændelser, som JCS (Europe) ikke har indflydelse på, reparation eller ændring af en person, der ikke er autoriseret af JCS (Europe), eller manglende overholdelse af brugsanvisningen, er ikke dækket af denne garanti. Desuden er normal slitage, herunder, men ikke begrænset til, mindre misfarvning og skrammer, ikke dækket af denne garanti.

Rettighederne under denne garanti skal kun gælde for den oprindelige køber og skal ikke udvides til kommerciel eller kollektiv brug.

Hvis der med dit apparat fulgte en landespecifik erklæring eller garanti, gælder de vilkår og betingelser, der er angivet i det pågældende dokument forud for bestemmelserne i nærværende garanti. I modsat fald bedes du kontakte din lokale autoriserede forhandler for at få flere oplysninger.

Denne markering viser, at produktet ikke må kasseres sammen med husholdningsaffald. Det skal kasseres separat overalt i den europæiske union. For at afværge mulige miljøskader eller humane sundhedsskader på grund af tilstedeværelsen af farlige stoffer i materialet, skal der fremmes holdbar recirkulering af materialer og ressourcer. For at returnere den brugte anordning, bedes du anvende de affaldsdepoter, som er tilgængelige, eller kontakte den detailhandler, hvor du købte produktet. De kan tage produktet til et miljømæssigt sikkert recirkuleringssted.



Jarden Consumer Solutions (Europe) Limited
5400 Lakeside
Cheadle Royal Business Park
Cheadle
SK8 3GQ
UK

NORSK

VIKTIGE BESKYTTELSESTILTAK

Les denne brukerhåndboken nøye før dette apparatet tas i bruk, fordi riktig bruk vil gi den beste ytelsen. Behold disse instruksjonene for fremtidig henvisning.

Dette produktet kan brukes av barn fra 8 år og oppover og personer med reduserte fysiske, sensoriske eller mentale evner eller manglende erfaring og kunnskap hvis de er under oppsyn eller er gitt instruksjoner om bruk på en trygg måte og forstår farene involvert. Barn skal ikke leke med produktet. Rengjøring og vedlikehold skal ikke foretas av barn uten oppsyn.

Hvis strømledningen eller kontakten er skadet, må den skiftes ut av produsenten, dennes servicerepresentant eller en annen tilsvarende kvalifisert person for å unngå sikkerhetsrisiko.

- ⚠ Sørg for tilstrekkelig med rom over og omkring apparatet for luftsirkulasjon. Ikke la apparatet berøre brennbart materiale ved bruk (som f.eks. gardiner eller veggkledning). Ikke bruk under et veggskap.
- ⚠ Sørg for at apparatet er slått av og frakoblet strømmettet etter bruk, før rengjøring.
- ⚠ La alltid apparatet bli kaldt før rengjøring eller oppbevaring.
- ⚠ Flytt apparatet svært forsiktig når det inneholder varm mat eller væske.
- ⚠ Unngå brå temperaturendringer som f.eks. å tilføre nedkjølt mat i en varm gryte.
- ⚠ Ikke bruk apparatet hvis det har falt i gulvet, hvis det har synlige tegn på skader eller hvis det lekker.
- ⚠ Bruk aldri dette apparatet til noe annet enn tiltenkt bruk. Dette apparatet er kun for husholdningsbruk. Ikke bruk apparatet utendørs.
- ⚠ Dypp aldri noen del av apparatet eller strømkabelen i vann eller annen væske.
- ⚠ Aldri la strømledningen henge over kanten av en benkeplate, berøre varme overflater eller få knute, bli sittende fast eller komme i klem.
- ⚠ Dette apparatet må ikke plasseres på eller i nærheten av varme overflater (som f.eks. en gass- eller elektrisk komfyr).
- ⚠ Ikke rør apparatets ytre overflater under bruk da de kan bli svært varme. Bruk grytekluter eller en klut til å fjerne lokket. Vær obs på damp når du fjerner lokket.
- ⚠ Ikke bruk apparatet hvis det er tomt, uten lokket eller hvis lokket er sprukket eller skadet.
- ⚠ Ikke plasser steintøygryta på en overflate som påvirkes av varme. Sett alltid gryta på trefot eller varmebestandig matte.
- ⚠ Vær forsiktig ved plassering av matgryta rett på delikate eller polerte overflater fordi grytesokkelen ikke er glasert og kan forårsake riper eller andre merker. Vi anbefaler å plassere et beskyttende lag under gryta for å beskytte disse underlagstypene.

BRUK ALDRI DETTE APPARATET TIL NOE ANNET ENN TILTENKT BRUK. DETTE APPARATET ER KUN FOR HUSHOLDNINGSBRUK.

KLARGJØRE CROCK-POT®-SAKTEKOKEREN TIL BRUK

Fjern alt pakkemateriale og vask lokket og steintøypotten med varmt såpevann og tørk grundig før du tar saktekokeren i bruk.

VIKTIGE MERKNADER: Ikke plasser steintøygryta på en overflate som påvirkes av varme. Sett alltid gryta på trefot eller varmebestandig matte.

Vær forsiktig ved plassering av matgryta rett på delikate eller polerte overflater fordi grytesokkelen ikke er glasert og kan forårsake riper eller andre merker. Vi anbefaler å plassere et beskyttende lag under gryta for å beskytte disse underlagstypene.

CROCK-POT®-SAKTEKOKERENS ENKELTE DELER

- | | | | |
|----------|---------------|----------|---------------------------|
| A | Glasslokk | F | Timerinnstillingsskjerm |
| B | Steintøy | G | Temperaturvelgerknapp |
| C | Varmesokkel | H | Timer opp/ned-knapper |
| D | Kontrollpanel | I | Standby-knapp |
| E | Bærehåndtak | J | Strømledning (vises ikke) |

SLIK BRUKER DU SAKTEKOKEREN

1. Sett steintøypotten i varmeenheten, ha i ingrediensene og legg på lokket. Plugg inn Crock-Pot® slow cookeren.
2. Velg temperaturinnstillingen med temperaturvelgerknappen (**G**). Lyset for høy temperatur (SS) eller lyset for lav temperatur (S) tennes.
MERK: HOLD VARM-innstillingen (SS) er KUN ment for å holde mat som allerede er tilberedt, varm. IKKE tilbered på VARM-innstillingen. Vi anbefaler ikke å bruke VARM-innstillingen i mer enn fire timer.
3. Trykk på timerens opp/ned-knapper (**H**) for å velge tilberedningstid. Tiden kan stilles inn i inkremerer på 30 minutter i opp til 20 timer. Velg tiden etter det som er angitt i oppskriften. Tiden vil begynne å telle ned i inkremerer på ett minutt.
4. Når tilberedningen er ferdig, kan slow cookeren automatisk gå over til innstillingen HOLD VARM, og lyset for HOLD VARM (SS) tennes.
5. Trykk på standbyknappen (**I**) hvis du vil slutte å koke maten. Følg trinn 2 og 3 ovenfor for å begynne å koke maten igjen. Ta støpselet ut av stikkkontakten for å slå slow cookeren AV.

MERKNADER:

- Hvis det blir strømbrudd under kokingen, vil enheten være av når strømmen kommer tilbake. Alle saktekokerens innstillinger er slettet og må innstilles på nytt. Det kan imidlertid være utrygt å spise maten. Hvis du ikke er sikker på hvor lenge strømmen har vært borte, anbefaler vi å kaste maten.
- Hvis ønskelig, kan du skifte til innstillingen HOLD VARM manuelt når retten er tilberedt.
- For å unngå for mye eller lite koking, fyll alltid steintøyet ½ til ¾ full og hold deg til anbefalt tilberedningstid.
- Overfyll ikke steintøypotten. Fyll ikke steintøypotten mer enn ¾ full for å hindre at det renner over.
- Kok alltid med lokket på i den anbefalte tiden. Ta ikke av lokket under de første to timene av kokingen for at varmen skal kunne bygge seg opp på en effektiv måte.
- Bruk alltid grytevotter ved håndtering av lokket eller steintøypotten.
- Trekk ut støpselet når kokingen er ferdig og før rengjøring.
- Den uttakbare steintøypotten kan brukes i stekeovn og mikrobølgeovn. Bruk ikke den uttakbare steintøypotten på gasskokeplater eller elektriske kokeplater eller under grillen.

SLIK RENGJØR DU SAKTEKOKEREN

- Ta ALLTID slow cookerens støpsel ut av stikkkontakten og la den kjøle seg ned før rengjøring.
- Lokket og steintøypotten kan vaskes i oppvaskmaskin eller med varmt såpevann. Bruk ikke skuremidler, skuresvamber eller stålull. En klut, svamp eller gummispatel vil vanligvis fjerne restene. Bruk et ikke-skurende vaskemiddel eller eddik til å fjerne vannmerker og andre flekker.
- I likhet med all annen finere keramikk, tåler ikke steintøypotten og lokket brå temperaturendringer. Vask ikke steintøypotten eller lokket med kaldt vann når disse er varme.
- Utsiden av varmeenheten kan rengjøres med en myk klut og varmt såpevann. Tørk av den. Bruk ikke skuremidler.
- OBS! Senk aldri varmeenheten i vann eller eventuell annen væske.
- Ingen annen service skal utføres.

MERK: Etter at steintøypotten er vasket for hånd, skal den lufttørkes før den settes bort.

RÅD OG TIPS

PASTA OG RIS:

- Bruk langkornet konvertert ris eller en spesiell ris som foreslås i oppskriften, for å oppnå beste resultat. Hvis risen ikke er ordentlig kokt etter den anbefalte tiden, tilsetter du 1 til 1½ kopp med væske per kopp med kokt ris, og fortsetter å koke i ytterligere 20 til 30 minutter.
- For å oppnå beste resultater ved koking av pasta, bør den først halvkokes i en kjele med kokende vann til den er så vidt mør. Ha pastaen i Crock-Pot®-saktekokeren under de siste 30 minuttene av koketiden.

BØNNER:

- Bønner må være helt myke før de blandes med sukker og/eller syreholdig mat. Sukker og syre gjør at bønner blir harde og hindrer at de blir myke.
- Tørkede bønner, spesielt røde nyrebønner, bør kokes før de brukes i en oppskrift.
- Ferdigkokte, hermetiske bønner kan brukes som en erstatning for tørkede bønner.

GRØNNSAKER:

- Mange grønnsaker kan med fordel saktekokes og vil da få en fyldigere smak. De er ikke tilbøyelige til å overkokes i saktekokeren, slik de kan i ovnen eller på komfyren.
- Ved tilberedning av oppskrifter med grønnsaker og kjøtt, skal grønnsakene legges i saktekokeren før kjøttet. Grønnsaker koker vanligvis saktere enn kjøtt i saktekokeren.
- Legg grønnsakene nær sidene eller i bunnen av steintøypotten for å underlette kokingen.

URTER OG KRYDDER:

- Friske urter gir smak og farge, men bør tilsettes på slutten av kokesyklusen, fordi smaken vil forsvinne ved lengre tids koking.
- Malte og/eller tørkede urter og krydder fungerer bra ved saktekoking og kan tilsettes i begynnelsen.
- Smaksstyrken til alle urter og krydder kan variere mye, avhengig av deres bestemte styrke eller lagringstid. Bruk urter med måte, smak til på slutten av kokesyklusen og juster smakstilsetninger rett før servering.

MELK:

- Melk, fløte og rømme brytes ned under lengre tids koking. Tilsett dette om mulig under de siste 15 til 30 minuttene av kokingen.
- Melk kan erstattes med kondenserte supper som kan kokes mye lenger.

SUPPER:

- Noen suppeoppskrifter tilsier store mengder vann. Tilsett andre suppeingredienser i steintøypotten først, og hell deretter på vann til det dekker innholdet. Hvis det er ønskelig med en tynnere suppe, tilsettes mer væske når den skal serveres.

KJØTT:

- Skjær bort fett, skyll godt og tørk godt av kjøttet med papirhåndklær.
- Hvis kjøttet brunes i en egen kasserolle eller grillpanne, vil fettset renne av før saktekoking, noe som også vil gi en mye fyldigere smak.
- Kjøtt skal plasseres, slik at det ligger i steintøypotten uten å berøre lokket.
- Endre mengden av grønnsaker eller poteter etter størrelsen på kjøttstykkene, slik at steintøypotten alltid er ½ til ¾ full.
- Størrelsen på kjøttstykket og de anbefalte koketidene er bare anslått tid og kan variere, avhengig av det aktuelle kjøttstykket og beinstrukturen. Magert kjøtt, for eksempel kylling eller svinefilet, har en tendens til å koke raskere enn annet kjøtt med mer bindevev og fett, som oksehøyrygg eller svinebøg. Hvis kjøttet kokes med bein i motsetning til beinløst, vil dette kreve lengre koketid.
- Skjær kjøttet i mindre biter når det skal kokes med ferdigkokt mat, som bønner eller frukt, eller lette grønnsaker som sopp, hakket løk, aubergine eller finhakkede grønnsaker. All maten blir da kokt med samme hastighet.
- Ved koking av frossent kjøtt, må det først tilsettes minst 1 kopp med varm væske. Denne væsken vil fungere som en «støtpute» for å forhindre brå temperaturoendringer. 4 ekstra timer på LOW eller 2 timer på HIGH er vanligvis nødvendig. Når det gjelder større kjøttstykker, tar det mye lengre å tine og koke dem møre.

FISK:

- Fisk koker raskt og bør tilsettes på slutten av kokesyklusen i løpet av de siste femten minuttene til en time med koking.

VÆSKE:

- Pass alltid på at du bruker tilstrekkelig mengde væske i retten for å oppnå beste resultater og forhindre at maten blir tørr eller brent.
- Hvis en oppskrift oppgir nudler, makaroni osv., tilbered på vanlig komfyr til den er litt mør og tilføy slow cookeren i løpet av de siste 30 minuttene av tilberedningen. For å bruke ris, rør inn med de andre ingrediensene og tilføy en ¼ kopp ekstra væske for hver enkelt ¼ kopp ris. Langkornet ris gir bedre resultater.

OPPSKRIFTER

BABY BACK RIBS 3 til 5 porsjoner

2–3 ribbestykker av baby back ribs delt i stykker på 3 til 4 biter

600ml grillsaus

1–1½ løk, hakket

1. Legg ribbestykkene i Crock-Pot®-saktekokeren. Legg i løken og tilsett grillsausen.
2. Legg på lokket og kok på Low i 8 timer eller på High i 4 timer, eller til kjøttet er mørt.
3. Del ribbestykkene mellom ribbeina og tilsett om ønskelig ekstra saus

GRILLET OPPFLISET SVINEKJØTT 3 til 4 porsjoner

1 kg svinekam, skjær bort fett

600ml grillsaus

1–1½ løk, hakket

3–4 hamburgerbrød eller rundstykker

1. Legg svinekammen i Crock-Pot®-saktekokeren. Legg løken oppå kjøttet og tilsett grillsausen.
2. Legg på lokket og kok på Low i 8 timer eller på High i 4 timer, eller til kjøttet er mørt.
3. Ta svinekjøttet ut av Crock-Pot®-saktekokeren, og flis det opp med en gaffel. Legg svinekjøttet tilbake i Crock-Pot®-saktekokeren, og dekk det med saus.
4. Server svinekjøttet på hamburgerbrød eller rundstykker.

BOEUF BOURGUIGNON 3 til 4 porsjoner

Mel

Sjøsalt og pepper

700g oksehørygg, skåret i 2,5 centimeter terninger

1½ store gulrøtter, skrelt og skåret i skiver

½ middels stor løk, skåret i skiver

3 baconstrimler, skåret i 2,5 centimeter stykker

150ml oksekraft

240ml rødvin eller Bourgogne-vin

7-8g tomatpurré

1 hvitløkfedd, finhakket

1½ stalker frisk timian, renses av stilkene

1 laurbærblad

225g fersk sopp, skåret i skiver

1. Vend kjøttet i mel krydret med salt og pepper. Brun kjøttet i en stekepanne på komfyren (valgfritt).
2. Legg kjøttet i Crock-Pot®-saktekokeren, og tilsett resten av ingrediensene.
3. Legg på lokket og kok på Low i 8-10 timer eller på High i 6 timer, eller til kjøttet er mørt.

STEKT KYLLING MED SITRON OG URTER 4 til 6 porsjoner

1.5kg hel kylling

1 løk, hakket

Smør

Saften av én sitron

2.5g sjøsalt

15g frisk persille

5g tørket timian

Snev av paprika

100ml vann eller buljong

1. Legg løken i hulrommet i kyllingen, og gni inn skinnet med smør. Legg kyllingen i Crock-Pot®-saktekokeren.
2. Kryst sitronsaft over kyllingen og strø på resten av krydderet og urtene. Legg på lokket og kok på Low i 8-10 timer eller på High i 4 timer.

KYLLING CACCIATORE 2 til 4 porsjoner

1–1½ løk, i tynne skiver

500g kylling (bryst eller lår), skinnet fjernet

200g boks plommetomater, hakket

2 hvitløkfedd, finhakket

200ml tørr hvitvin eller kraft

15g kapers

10 steinfrie Kalamata-oliven, grovhakket

½ bunt frisk persille eller basilikum, stalker fjernet og grovhakket

Sjøsalt og pepper

Kokt pasta

1. Legg skivet løk i Crock-Pot®-saktekokeren, og dekk den med kylling.
2. Rør sammen tomater, salt, pepper, hvitløk og hvitvin i en bolle. Hell blandingen over kyllingen.
3. Legg på lokket og kok på Low i 6 timer eller på High i 4 timer, eller til kyllingen er mørt.
4. Rør i kapers, oliven og urter rett før servering.
5. Serveres over kokt pasta.

Merk: Hvis kyllingen kokes med bein i motsetning til beinløs, vil dette forlenge koketiden med ca. 30 minutter til 1 time.

CHILI CON CARNE 3 til 4 porsjoner

1 store løk, hakket
2-3 hvitløkfedd, finhakket
1 grønn paprika, hakket
500g kjøttdeig
400g boks røde bønner, skylt og avrent
200g boks hakkede tomater
1 jalapeño-chilipepper, ta ut frøene og finhakk
7-8g tomatpurré
2.5g cayennepepper
100ml kjøttkraft

1. Legg alle ingrediensene i Crock-Pot®-saktekokeren.
2. Legg på lokket og kok på Low i 8 til 9 timer eller på High i 4 timer

GRYTESTEK 3 til 5 porsjoner

800g - 1kg grytestek av oksehøyrygg
1½ løk, i skiver
Mel
1 selleristilker, i skiver
Sjøsalt og pepper
120g sopp, skåret i skiver
1½ gulrøtter, i skiver
120ml kjøttkraft eller vin
1½ poteter, delt i fire

1. Vend kjøttet i ½ kopp mel krydret med salt og pepper. Brun steken i en stekepanne på komfyren (valgfritt).
2. Legg alle grønnsakene i Crock-Pot®-saktekokeren, unntatt soppen. Legg i steken og spre sopp på toppen. Hell i væske.
3. Legg på lokket og kok på Low i 10 timer eller på High i 6 timer, eller til kjøttet er mørt.

LAPSKAUS 3 til 4 porsjoner

500 - 600g lapskauskjøtt fra oksebog, skåret i 2,5 cm terninger
Mel
Sjøsalt og pepper
350ml kjøttkraft
7.5ml Worcestershire-saus
1½ hvitløkfedd, finhakket
1 laurbærblad
3 små poteter, delt i fire
1-1½ løk, hakket
1½ selleristilker, i skiver

1. Strø mel, salt og pepper over kjøttet. Legg kjøttet i Crock-Pot®-saktekokeren.
2. Tilsett resten av ingrediensene og rør godt.
3. Legg på lokket og kok på Low i 8 til 10 timer eller på High i 6 timer, eller til kjøttet er mørt. Rør grundig før servering.

ENKEL OG SUNN FISKEFILLET 2 til 3 porsjoner

Sjøsalt og pepper
500 g hvit fisk, uten skinn
Friske urter, (flatbladet persille, basilikum, estragon, sar eller en kombinasjon av alle)
1-1½ sitroner, i tynne skiver
Ferdig salsa eller oliventapenade til garnering

1. Strø salt og pepper på hver side av fisken, og legg den i Crock-Pot®-saktekokeren. Dekk fisken med urter og sitronskiver, og stikk litt under fisken.
2. Legg på lokket og kok på High i ca. 30-40 minutter, eller til den ikke lenger er gjennomskinnelig. Koketider varierer avhengig av tykkelsen på fisken.
3. Fjern sitronskivene og dekk fisken med salsa eller tapenade.

GARANTI

Vennligst behold kvitteringen, som kreves for eventuelle hevdelser under garantien.

Dette produktet garanteres i 2 år etter salgsdato, i samsvar med betingelser som gjengis i dette dokumentet.

Under garantiperioden, hvis enheten usannsynligvis slutter å fungere grunnet en design- eller fabrikantfeil, skal den leveres tilbake til innkjøpsstedet sammen med kvittering og kopi av garantien.

Rettigheter og fordeler som gis under garantien, kommer i tillegg til lovmessige rettigheter, som ikke berøres av garantien. Kun Jarden Consumer Solutions (Europe) Limited ("JCS (Europe)") har rett til å endre disse betingelsene.

JCS (Europe) påtar seg, innen garantiperioden å gratis reparere eller erstatte enheten, eller enhver defekt del av enheten, forutsatt at:

- Du umiddelbart gir beskjed til innkjøpsstedet eller JCS (Europe) om problemet; og
- at enheten ikke er modifisert på noe vis, eller utsatt for skade, feilbruk, misbruk, reparasjon eller modifikasjon av noen som ikke er autorisert av JCS (Europe).

Feil som oppstår fra feilaktig bruk, skade, misbruk, bruk med feil strømspenning, naturfenomener, hendelser utenom JCS (Europe) kontroll, reparasjon eller modifikasjon av en person utenom JCS (Europe)-autorisert servicepersonell, eller unnlatelse i å følge disse bruksanvisninger, dekkes ikke av denne garantien. I tillegg vil alminnelig bruksslitasje, inkludert, men ikke begrenset til, mindre misfarging og riper, ikke bli garantidekket.

Rettigheter som dekkes av denne garantien skal kun gjelde for originalkunden, og kan ikke videreføres til kommersielt eller felles bruk.

Hvis din enhet omfattes av landsspesifikk garanti eller garantivedlegg, henvises det til vilkårene som gjelder for slike garantier framfor det som framgår nedenfor. Du kan også henvende deg til din lokale autoriserte representant for mer informasjon.

Dette symbolet angir at dette produktet ikke skal kastes sammen med annet husholdningsavfall, men kastes separat i EØS-området. For å hindre skade på miljø eller helse fra ukontrollert avfallshåndtering på grunn av farlige stoffer i produktet, må det resirkuleres ansvarlig for å muliggjøre bærekraftig gjenbruk av materialer og ressurser. Vennligst bruk retur- og innsamlingsystemer tilgjengelig for å returnere brukt produkt, eller kontakt forhandleren du kjøpte produktet av. De kan ta imot produktet for miljøvennlig resirkulering.



Jarden Consumer Solutions (Europe) Limited
5400 Lakeside
Cheadle Royal Business Park
Cheadle
SK8 3GQ
UK

ČESKY

DŮLEŽITÁ BEZPEČNOSTNÍ OPATŘENÍ

Před spuštěním spotřebiče pečlivě prostudujte tuto příručku, protože správné použití zajistí jeho nejlepší možný výkon. Tyto pokyny uschovejte jako budoucí referenci.

Děti starší 8 let, osoby se sníženými fyzickými, smyslovými či mentálními schopnostmi a dále nedostatečně zkušené či poučené osoby mohou toto zařízení používat, pokud byly obeznámeny s bezpečným použitím tohoto zařízení a rozumějí rizikům spojeným s jeho použitím, nebo pokud je používají pod dohledem. Děti si s tímto zařízením nesmí hrát. Uživatelskou údržbu a čištění nesmí děti provádět bez dozoru.

Výměnu poškozeného přívodního kabelu musí provádět výrobce, servisní středisko nebo odpovídajícím způsobem kvalifikovaná osoba, aby se předešlo možným rizikům.

- ⚠ Nad zařízením a po stranách nechejte dostatek prostoru pro cirkulaci vzduchu. Při používání zamezte kontaktu zařízení s jakýmkoli hořlavými materiály (např. záclonami nebo závěsy). Nepoužívejte pod nástěnnými skříňkami.
- ⚠ Po použití a před čištěním zařízení se ujistěte, že je zařízení vypnuté a není zapojeno do zásuvky.
- ⚠ Před čištěním či uschováním vždy nechejte zařízení vychladnout.
- ⚠ Pokud zařízení obsahuje horké potraviny nebo horkou tekutinu, manipulujte s ním velmi opatrně.
- ⚠ Vyvarujte se prudkých změn teplot. Nikdy například nedávejte zmražené potraviny do rozehrátého hrnce.
- ⚠ Pokud v důsledku pádu zpozorujete únik vody ze zařízení nebo poškození zařízení, přestaňte zařízení používat.
- ⚠ Nikdy nepoužívejte toto zařízení k jinému účelu, než k jakému je určeno. Toto zařízení je určeno pouze pro domácí použití. Nepoužívejte toto zařízení venku.
- ⚠ Nikdy neponořujte jakoukoli část zařízení, napájecí kabel nebo zástrčku do vody či jiné tekutiny.
- ⚠ Never let the power cord hang over the edge of a work top, touch hot surfaces or become knotted, trapped or pinched.
- ⚠ Toto zařízení nesmí být umístěno v blízkosti potenciálně horkých povrchů (jako jsou například plynové či elektrické plotny).
- ⚠ Během používání se nedotýkejte vnějších ploch zařízení, mohou být velmi horké. Když sundáváte poklici, používejte chňapku nebo utěrku. Dávejte pozor na unikající páru.
- ⚠ Zařízení nikdy nepoužívejte bez poklice, pokud je prázdné, nebo pokud je poklice prasklá či poškozená.
- ⚠ Kameninový hrnec nikdy nepokládejte na povrchy, které by se mohly horkem poškodit. Hrnec pokládejte vždy na trojnožku nebo izolační podložku.
- ⚠ Hrnec pokládejte velmi opatrně na choulostivé nebo leštěné povrchy. Spodní strana hrnce není glazovaná a mohla by povrch poškrábat či jinak poškodit. Abyste tyto povrchy ochránili, doporučujeme používat ochrannou podložku.

NIKDY NEPOUŽÍVEJTE TOTO ZAŘÍZENÍ K JINÉMU ÚČELU, NEŽ K JAKÉMU JE URČENO. TOTO ZAŘÍZENÍ JE URČENO POUZE PRO DOMÁCÍ POUŽITÍ.

PŘED PRVNÍM POUŽITÍM

Před použitím pomalého hrnce odstraňte veškeré balicí materiály. Umyjte poklici a kameninový hrnec v teplé mýdlové vodě a řádně je osušte.

POZNÁMKA: Kameninový hrnec nikdy nepokládejte na povrchy, které by se mohly horkem poškodit. Hrnec pokládejte vždy na trojnožku nebo izolační podložku.

Hrnec pokládejte velmi opatrně na choulostivé nebo leštěné povrchy. Spodní strana hrnce není glazovaná a mohla by povrch poškrábat či jinak poškodit. Abyste tyto povrchy ochránili, doporučujeme používat ochrannou podložku.

DÍLY POMALÉHO HRNCE CROCK-POT®

- | | | | |
|----------|---------------------|----------|---------------------------------|
| A | Skleněná poklice | F | Displej pro nastavení času |
| B | Kameninový hrnec | G | Tlačítko pro nastavení teploty |
| C | Zahřívací základna | H | Tlačítka časovače +/- |
| D | Ovládací panel | I | Pohotovostní tlačítko |
| E | Madlo pro přenášení | J | Napájecí kabel (není vyobrazen) |

JAK POUŽÍVAT KAMENINOVÝ HRNEC

- Usadte kameninový hrnec do varné základny, vložte do něj patřičné přísady a přikryjte ho poklicí. Připojte pomalý hrnec Crock-Pot® do zásuvky.
- Pomocí tlačítka pro výběr teploty (**G**) nastavte požadovanou teplotu. Rozsvítí se indikátor vysoké teploty (SS) nebo indikátor nízké teploty (LL).
POZNÁMKA: Nastavení KEEP WARM (W) slouží POUZE k udržení teploty již uvařených potravin. Toto nastavení NEPOUŽÍVEJTE k vaření. Toto nastavení nedoporučujeme používat déle než 4 hodiny.
- Stisknutím tlačítek časovače (**H**) nastavte požadovaný čas vaření. Čas můžete upravovat v krocích po 30 minutách až na dobu 20 hodin. Čas nastavte podle doby vaření uvedené v receptu. Čas se začne po minutách odpočítávat.
- Jakmile bude vaření dokončeno, pomalý hrnec se automaticky přepne do režimu KEEP WARM a rozsvítí se indikátor pro udržení teploty (W).
- Chcete-li vaření přerušit, stiskněte tlačítko pohotovostního režimu (**I**). Vaření obnovíte dle bodů 2 a 3 výše. Chcete-li pomalý hrnec vypnout, odpojte jej ze zásuvky.

POZNÁMKA:

- Dojde-li během vaření k výpadku proudu, jednotka bude po jeho opětovném nahození vypnutá. Veškerá nastavení pomalého hrnce se vynulují a musí se resetovat. Je však možné, že pokrm nebude vhodný k jídlu. Pokud nevíte, jak dlouho k výpadku proudu došlo, doporučujeme pokrm vyhodit.
- Hrnec můžete do režimu KEEP WARM přepnout i ručně.
- Aby jídlo nebylo nedovařené, nebo naopak rozvařené, vždy kameninový hrnec naplňte do ½ až ¾ a dodržujte doporučené časy vaření.
- Nepřepíňujte kameninový hrnec. Přetékání obsahu zabrání naplněním hrnce pouze ze tří čtvrtin.
- Vždy vařte s nasazenou poklicí a po doporučenou dobu. Během prvních dvou hodin vaření neodstraňujte poklici, abyste umožnili řádný nárůst tepla.
- Při manipulaci s poklicí či kameninovým hrncem si vždy nasadte chňapky.
- Po ukončení vaření či před čištěním spotřebič vypněte ze zásuvky.
- Vyjímatelnou nádobu kameninového hrnce lze používat v tradiční i mikrovlnné troubě. Vyjímatelný kameninový hrnec nepoužívejte na plynovém nebo elektrickém vařiči nebo pod grilovací částí trouby.

MYTÍ POMALÉHO HRNCE

- Před čištěním VŽDY pomalý hrnec odpojte ze zásuvky a nechte jej vychladnout.
- Poklici a pomalý hrnec z kameniny lze mýt v myčce na nádobí nebo v horké mýdlové vodě.
- Nepoužívejte abrazivní čisticí prostředky ani drátěnky. Nečistoty lze obvykle vyčistit hadříkem, houbou či gumovou špachtlí.
- Chcete-li odstranit vodní mapy a jiné skvrny, použijte neabrazivní čistič nebo ocet.
- Podobně jako v případě veškeré jemné kameniny kameninový hrnec ani poklice neodolají náhlým teplotním změnám. Nemýjte kameninový hrnec či poklici ve studené vodě, když jsou horké.
- Vnější část ohřívacího podstavce lze umýt pomocí měkkého hadříku a teplé mýdlové vody.
- Nádobí osušte. Nepoužívejte abrazivní čistidla.
- POZOR: Ohřívací podstavec nikdy neponořujte do vody ani jiné kapaliny.
- Neměl by být prováděn žádný další servis.

POZNÁMKA: Po ručním umytí nechte hrnec oschnout, než ho uložíte.

RADY A TIPY

TĚSTOVINY A RÝŽE:

- Pokud recept obsahuje nudle, špagety apod., předvařte je na klasičtém sporáku do poloměkka a na posledních 30 minut vaření je vložte do pomalého hrnce. Pokud používáte rýži, smíchejte ji spolu s dalšími ingrediencemi a přidejte navíc $\frac{1}{4}$ hrnku vody na každého $\frac{1}{4}$ hrnku rýže. Vhodnější je dlouhozrná rýže.

FAZOLE:

- Fazole je třeba před přidáním cukru nebo kyselých potravin nechat úplně změkchnout. Působením cukru a kyseliny fazole tvrdnou a neuvaří se.
- Sušené fazole, zejména ty červené, by se měly před přidáním k dalším přísadám receptu uvařit.
- Sušené fazole lze nahradit zcela uvařenými konzervovanými fazolemi.

ZELENINA:

- Pro mnohé druhy zeleniny je pomalé vaření přínosné, neboť se v nich rozvine intenzivní chuť. V pomalém hrnci nedochází k rozvaření zeleniny, jak by tomu mohlo být v troubě či na vařiči.
- Při vaření pokrmů obsahujících zeleninu i maso vložte do pomalého hrnce nejprve zeleninu a potom přidejte maso. Zelenina se v pomalém hrnci obvykle vaří pomaleji než maso.
- Zeleninu umístěte po stranách či na dno kameninového hrnce, abyste usnadnili vaření.

BYLINKY A KOŘENÍ:

- Čerstvé bylinky dodávají chuť a barvu, ale měly by se do jídla přidávat až na konci vaření, neboť při dlouhém vaření svou chuť ztrácejí.
- Mleté či sušené bylinky a koření jsou pro pomalé vaření ideální a lze je přidat už na samém začátku.
- Chuťová intenzita všech bylinek a koření se může velmi různit v závislosti na konkrétní síle a trvanlivosti. Bylinky používejte střídmě. Ochutnejte pokrm na konci doby vaření a před servírováním jídlo dochutte.

MLÉKO:

- Mléko, sladká a kyselá smetana se mohou při dlouhém vaření rozkládat. Pokud možno je do pokrmů přidejte až během posledních 15 až 30 minut vaření.
- Mléko lze nahradit kondenzovanými polévkami, které se mohou vařit dlouhou dobu.

POLÉVKY:

- Některé polévkové recepty požadují velké množství vody. Vložte do pomalého hrnce všechny polévkové přísady, které potom zalijte vodou tak, aby byly pouze zakryté. Chcete-li mít řidší polévku, přidejte při servírování více tekutiny.

MASO:

- Z masa okrájajte tlusté, dobre maso opláchnéte a osušte papírovými ubrousky.
- Dříve než dáte maso do pomalého hrnce, osmahnéte ho na pánvi a slijte vyškvařený tuk. Rovněž tím dosáhnete intenzivnější chuti.
- Maso by mělo být do kameninového hrnce uloženo tak, aby se nedotýkalo poklice.
- U menších či větších kusů masa upravte množství zeleniny či brambor tak, aby byl kameninový hrnc z poloviny až tři čtvrtin plný.
- Velikost masa a doporučená doba vaření jsou pouze přibližné a mohou se lišit v závislosti na konkrétním kousku, druhu masa a velikosti kosti. Libové maso jako například kuřecí či vepřová panenka se vaří rychleji než vláknité a tučné maso jako hovězí plecko nebo vepřové ramínko. Vaření masa s kostí prodlouží dobu vaření oproti masu bez kosti.
- Nakrájajte maso na malé kousky, když ho vaříte společně s předvařenými potravinami, jako jsou fazole, ovoce či lehká zelenina, např. houby, na kostičky nakrájená cibule, lilek nebo nadrobno nakrájená zelenina. Umožní se tak, aby se všechny přísady vařily stejně dlouho.
- Při vaření zmrazeného masa je nutné nejprve přidat minimálně 1 hrnek teplé tekutiny. Daná tekutina bude fungovat jako jakási izolační vrstva, jež zabrání náhlým změnám teplot. Běžně je zapotřebí vařit další 4 hodiny na hodnotě LOW (NÍZKÁ) nebo 2 hodiny na teplotě HIGH (VYSOKÁ). V případě větších kusů masa může doba rozmražení a změknutí být mnohem delší.

RYBY:

- Ryby se vaří rychle, a proto je vhodné je přidat ke konci vaření v posledních patnácti minutách až hodině vaření.

TEKUTINY:

- K dosažení nejlepších výsledků a k zabránění vysušení či spálení pokrmů použijte patřičné množství tekutin dle receptu.
- Mohlo by se zdát, že naše recepty obsahují málo tekutiny. Pomalý hrnc funguje jiným způsobem než ostatní způsoby vaření a objem tekutiny se během vaření téměř zdvojnásobí. Pokud chcete v pomalém hrnci připravit klasický recept, snižte před vařením množství tekutiny.

RECEPTY

BABY BACK RIBS Počet porcí: 3–5
2–3 dlouhá žebírka, každé nakrájené na 3–4 kusy
600ml omáčky barbecue
1-1½ cibule, nakrájené

1. Vložte žebírka do pomalého hrnce Crock-Pot®. Posypte je cibulí a zalijte omáčkou barbecue.
2. Přikryjte poklicí a vařte při nízké teplotě 8 hodin nebo při vysoké teplotě po dobu 4 hodin, či dokud maso nezměkne.
3. Servírujte oddělená jednotlivá žebírka, která dle chuti potřete ještě omáčkou.

TRHANÉ VEPŘOVÉ BBQ Počet porcí: 3–4

1 kg vepřové panenky, ořezaný tuk
600ml omáčky barbecue
1–1½ cibule, nakrájené
3-4 hamburgerových housek či housek s tvrdou kůrkou

1. Vložte vepřovou panenku do pomalého hrnce Crock-Pot®. Posypte je cibulí a zalijte omáčkou barbecue.
2. Přikryjte poklicí a vařte při nízké teplotě 8 hodin nebo při vysoké teplotě po dobu 4 hodin, či dokud maso nezměkne.
3. Vyjměte vepřové z pomalého hrnce Crock-Pot® a rozdělte ho na vlákna vidličkou. Vraťte maso zpět do pomalého hrnce a zalijte ho omáčkou.
4. Trhané vepřové BBQ servírujte na hamburgerových houskách či houskách s tvrdou kůrkou.

HOVĚZÍ PO BURGUNDSKU Počet porcí: 3-4

Mouky

Mořská sůl a pepř

700g hovězího plecka, nakrájeného na 2,5centimetrové kostičky

1½ velké mrkve, ostrouhané a nakrájené na kolečka

½ střední cibule, nakrájená na kolečka

3 plátků uvařené slaniny nakrájené na kusy 2,5 centimetrů dlouhé

150ml hovězího vývaru

240ml červeného nebo burgundského vína

7-8g rajčatového protlaku

1 stroužky namletého česneku

1½ větvičky čerstvého tymiánu, bez stonků

1 bobkový list

225g čerstvých hub, nakrájených

1. Obalte hovězí v osolené a opepřené mouce. Osmahněte maso na pánvi na vařiči (volitelné).
2. Vložte maso do pomalého hrnce Crock-Pot® a přidejte zbývající přísady.
3. Přikryjte poklicí a vařte při nízké teplotě 8–10 hodin nebo při vysoké teplotě po dobu 6 hodin, či dokud maso nezměkne.

PEČENÉ KUŘE S CITRONEM A BYLINKAMI Počet porcí: 4-6

1.5kg kuřete na pečení

1 malá cibule

Máslo

šťáva z jednoho citronu

2.5g mořské soli

15g čerstvé petržele

5g sušeného tymiánu

Špetka papriky

100ml vody nebo vývaru

1. Vložte cibuli do dutiny kuřete a potřete kůži máslem. Dejte maso do pomalého hrnce Crock-Pot®.
2. Pokapejte kuře citronovou šťávou a posypte zbývajícím kořením. Přikryjte poklicí a vařte při nízké teplotě 8–10 hodin nebo při vysoké teplotě po dobu 4 hodin.

KUŘE CACCIATORE Počet porcí: 2-4

1–1½ cibule, nakrájené na tenké plátky

500g kuřecího (prsá nebo stehna), bez kůže

200g konzerva oválných rajčat, nakrájených

2 stroužků namletého česneku

200ml suchého bílého vína nebo vývaru

15g kapar

10 odpeckovaných oliv kalamata, nahrubo nakrájených

½ trs čerstvé petržele nebo bazalky, bez stonků a nahrubo nakrájených

Mořská sůl a pepř

Uvařené těstoviny

1. Dejte nakrájenou cibuli do pomalého hrnce Crock-Pot® a položte na ni kuře.
2. V míse smíchejte rajčata, sůl, pepř, česnek a bílé víno. Nalijte na kuře.
3. Přikryjte poklicí a vařte při nízké teplotě 6 hodin nebo při vysoké teplotě po dobu 4 hodin, či dokud maso nezměkne.
4. Před servírováním pokrmu vmíchejte kapary, olivy a bylinky.
5. Podávejte na uvařených těstovinách.

Poznámka: Vaření nevykostěného kuřete prodlouží dobu vaření oproti vykostěnému kuřeti o 30 až 60 minut.

CHILLI Počet porcí: 3–4

1 velké cibule, nakrájené
2-3 stroužků česneku, umletého
1 zelené papriky, nakrájené
500g mletého masa
400g konzervy červených fazolí, opláchnutých a slitých
200g konzerva rajčat nakrájených na kousky
1 papričky jalapeños, bez jadérek a najemno rozsekané
7-8g rajčatového protlaku
2.5g kajenského pepře
100ml hovězího vývaru

1. Vložte všechny přísady do pomalého hrnce Crock-Pot®.
2. Přikryjte poklicí a vařte při nízké teplotě 8–9 hodin nebo při vysoké teplotě po dobu 4 hodin.

DUŠENÉ HOVĚZÍ Počet porcí: 3–5

800g - 1kg hovězího plecka
1½ cibule, nakrájené na kolečka
Mouky
1 stonky řapikatého celeru, nakrájené
Mošská sůl a pepř
120g hub, nakrájených
1½ mrkve, nakrájené na kolečka
120ml hovězího vývaru nebo vína
1½ brambory, rozčtvrcené

1. Obalte maso v ½ hrnku mouky, osolte a opepřete. Osmahněte maso na pánvi na vařiči (volitelně).
2. Vložte veškerou zeleninu, vyjma hub, do pomalého hrnce Crock-Pot®. Přidejte maso a posypte ho houbami. Zalijte tekutinou.
3. Přikryjte poklicí a vařte při nízké teplotě 10 hodin nebo při vysoké teplotě po dobu 6 hodin, či dokud maso nezměkne.

SNADNÉ A ZDRAVÉ RYBÍ FILÉ Počet porcí: 2-3

Mošská sůl a pepř
500g bílé ryby, bez kůže
Čerstvé bylinky (petržel hladkolistá, bazalka, estragon, saturejka či směs koření)
1-1½ citrony, nakrájené na slabé plátky
Připravená salsa nebo olivová tapenáda na ozdobu

1. Osolte a opepřete obě strany ryby a položte ji do pomalého hrnce Crock-Pot®. Pokryjte její horní část bylinkami a kolečky citronů. Pár jich zastrčte i pod rybu.
2. Přikryjte pokličkou a při vysoké teplotě vařte asi 30–40 minut, nebo dokud ryba už není průsvitná. Doba vaření se bude různit v závislosti na tloušťce ryby.
3. Vyjměte kolečka citronů a servírujte se salsou nebo olivovou tapenádou.

ZÁRUKA

Doklad o koupi přístroje pečlivě uschovejte. Je potřeba při reklamaci v rámci této záruky.

Tento výrobek podléhá 2 leté záruční době od data zakoupení, jak je uvedeno dále v dokumentu.

Pokud během záruční doby dojde k nepravděpodobné situaci, že přístroj přestane fungovat kvůli konstrukční či výrobní závadě, dopravte ho do prodejny, kde jste jej zakoupili, včetně dokladu o koupi a tohoto záručního listu.

Práva a výhody v rámci této záruky doplňují vaše zákonná práva, která nejsou touto zárukou dotčena. Pouze Jarden Consumer Solutions (Europe) Limited (dále jen „JCS (Europe)“) má právo měnit tyto podmínky.

JCS (Europe) se během záruční doby zavazuje k bezúplatné opravě či náhradě přístroje nebo jakékoli součásti, která řádně nefunguje, za těchto podmínek:

- na daný problém neprodleně upozorníte příslušnou prodejnu nebo JCS (Europe), a
- na zařízení nebyly provedeny žádné změny, zařízení nebylo poškozeno ani používáno nesprávným způsobem nebo opraveno osobou, která nemá oprávnění JCS (Europe).

Tato záruka se nevztahuje na závady, k nimž dojde nesprávným užitím, poškozením, zneužitím, zavedením nesprávného napětí, vyšší mocí či událostmi, nad nimiž JCS (Europe) nemá kontrolu, opravou či úpravou někoho jiného než osoby, která má oprávnění JCS (Europe), nebo kvůli jiným postupům než jsou popsány v návodu k obsluze. Tato záruka se navíc nevztahuje na běžné opotřebení včetně – ale bez omezení jen na ně – menších barevných změn a poškrábání povrchu.

Práva v rámci této záruky se týkají pouze osoby, která zařízení původně zakoupila, a nelze je rozšířit na komerční ani komunální využití.

Pokud se na vaše zařízení vztahuje záruka specifická pro konkrétní stát nebo pokud byl k zařízení přiložen záruční list, najdete další informace v podmínkách dané záruky nebo je získáte od místního autorizovaného prodejce.

Toto označení znamená, že výrobek nelze likvidovat společně s dalším odpadem z domácnosti a v rámci celé EU je třeba ho zlikvidovat odděleně. Pro zabránění vzniku případných škod na prostředí a zdraví lidí v důsledku nekontrolované likvidace odpadu obsahujícího nebezpečné látky zajistěte jeho odpovědnou recyklaci a přispějte tak k trvale udržitelnému opětovnému využití materiálů a zdrojů. Pro vrácení použitého zařízení využijte prosím vám dostupné systémy vrácení a sběru nebo se obraťte na prodejce, u kterého jste výrobek koupili. Ten může tento výrobek převzít pro jeho bezpečnou recyklaci.



Jarden Consumer Solutions (Europe) Limited
5400 Lakeside
Cheadle Royal Business Park
Cheadle
SK8 3GQ
UK

CROCK·POT®

◆ THE ORIGINAL SLOW COOKER ◆

For Customer Service details, please see the website.
Pour le service consommateurs, veuillez consultez le site web.
Para más información de servicio, por favor visite nuestra página web.

www.crockpoteurope.com

email: enquiriesEurope@jardencs.com

© 2014 Jarden Consumer Solutions (Europe) Limited.

All rights reserved. Imported and distributed by Jarden Consumer Solutions (Europe) Limited, Cheadle Royal Business Park, Cheadle, SK8 3GQ, United Kingdom.

Jarden Consumer Solutions (Europe) Limited is a subsidiary of Jarden Corporation (NYSE: JAH).

The product supplied may differ slightly from the one illustrated due to continuing product development.

Printed In China

Tous droits réservés. Distribué par Jarden Consumer Solutions (Europe) Limited, Cheadle Royal Business Park, Cheadle, SK8 3GQ, United Kingdom.

Jarden Consumer Solutions (Europe) Limited est une filiale de Jarden Corporation (NYSE: JAH).

En raison du développement continu de nos produits, le produit livré risque de varier légèrement de l'illustration.

Imprimé en Chine

Todos los derechos reservados. Distribuido por Jarden Consumer Solutions (Europe) Limited, Cheadle Royal Business Park, Cheadle, SK8 3GQ, Reino Unido.

Jarden Consumer Solutions (Europe) Limited es una filial de Jarden Corporation (NYSE: JAH).

El producto suministrado puede diferir ligeramente del mostrado en la imagen debido al desarrollo permanente de los productos.

Impreso en China

